

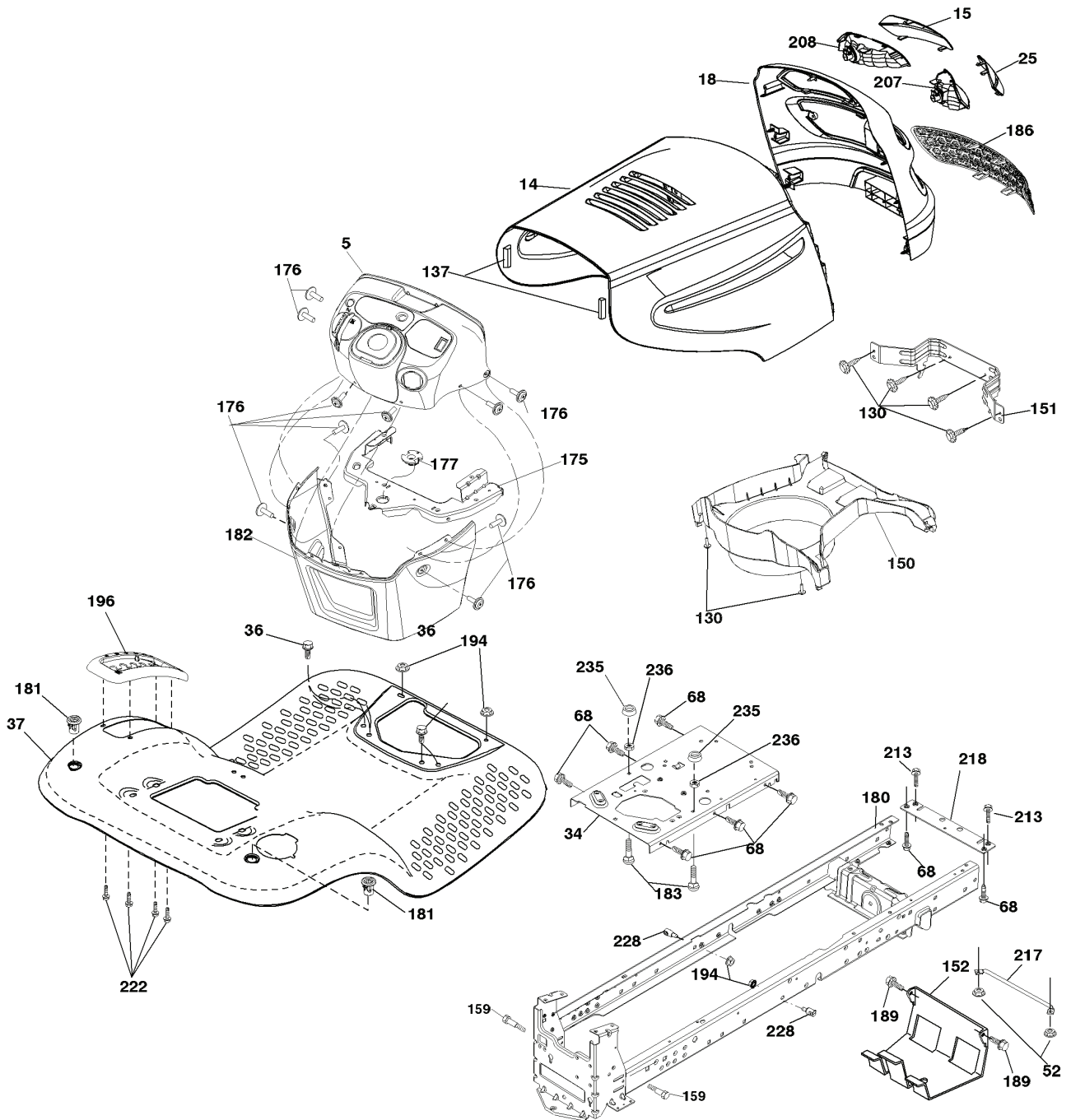
RESERVDELSKATALOG

: JONSERED

Reservdelslista

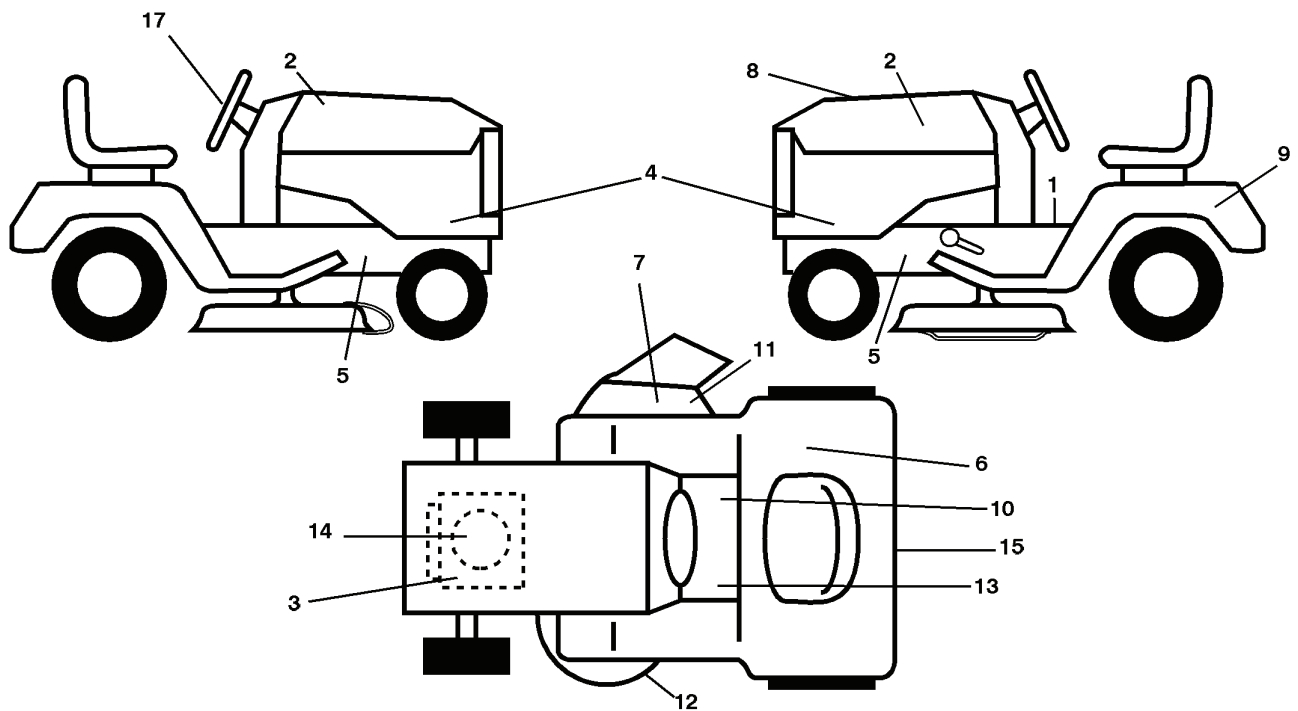
RESERVDELSLISTA

**TRACTOR - - MODEL NO. LT2217A (96041003302), PRODUCT NO. 960 41 00-33
CHASSIS AND ENCLOSURES**



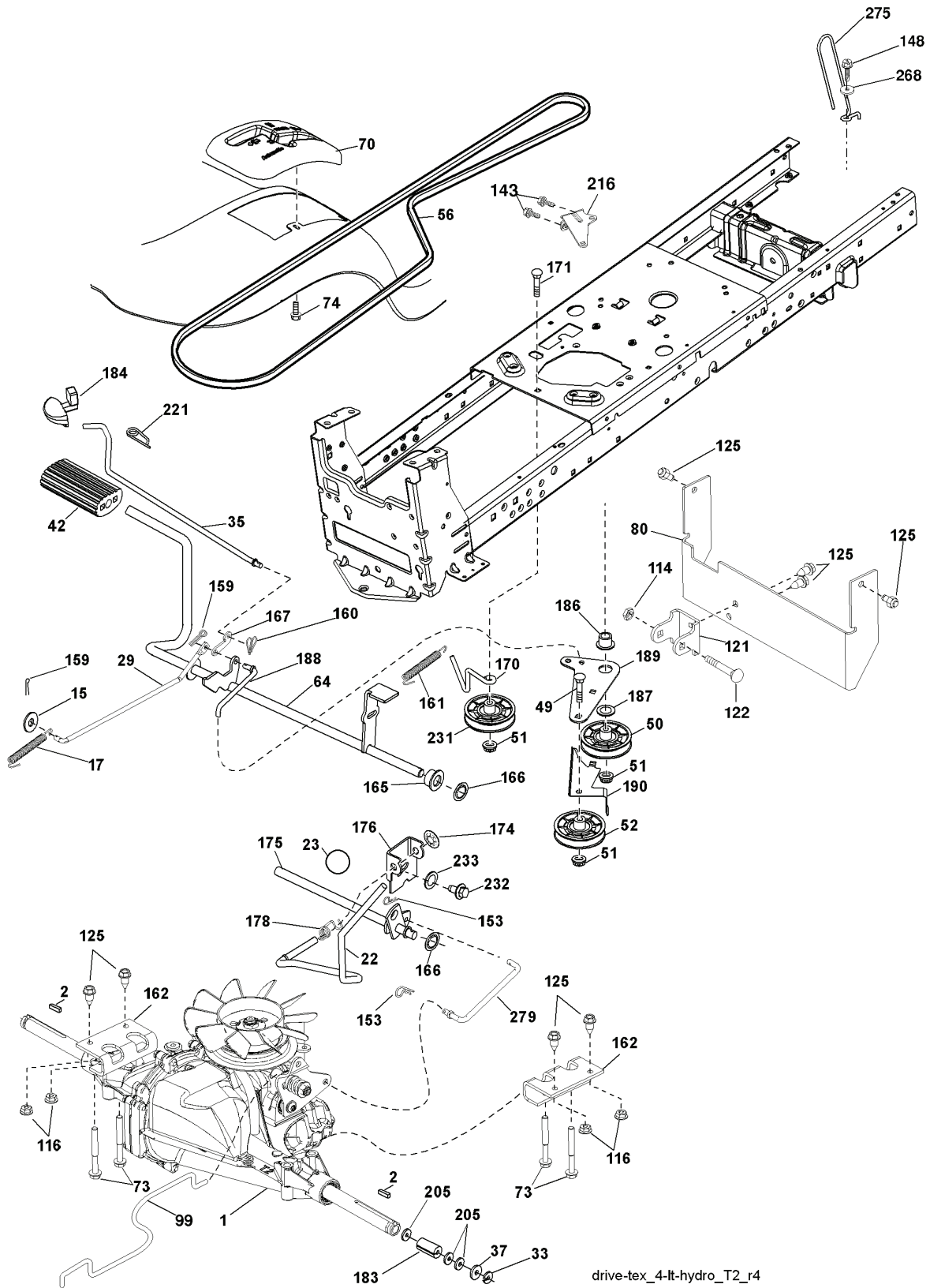
REF.	ART. NR	ARTIKELBESKRIVNING	ANMÄRKNING	KIT
5	532411279	PANEL		1
14	532194757	HUV		1
15	532189754	LENS GRILLE LH		1
18	532192915	HUV		1
25	532189755	LENS GRILLE RH		1
34	532196125	PLATTA		1
36	817060512	SCREW		1
37	532411283	STÄNKSKÄRM		1
52	873680500	MUTTER		1
68	817490508	SCREW		1
130	532191611	SCREW		1
137	532184921	STÖTFÄNGARE		1
150	532184322	DUCT		1
151	532407807	FÄSTE		1
152	532199535	SKÄRM		1
159	817000612	SCREW		1
162	532137729	SCREW		1
175	532193243	PLATTA		1
176	532400776	SCREW		1
177	532195228	BUSHING		1
180	532195457	CHASSI		1
181	532404796	BUSHING		1
182	532193057	PANEL		1
183	874780520	BULT		1
186	532189753	INSERT GRILLE		1
189	817000512	SCREW		1
194	873900500	MUTTER		1
196	532409728	DYNA		1
207	532183833	SUPPORT DE PHARE DROIT		1
208	532183832	SUPPORT DE PHARE GAUCHE		1
213	874760512	BULT		1
217	532409167	STÅNG		1
218	532196395	PLATTA		1
228	532195161	STUD		1
235	532406129	DISTANSBRICKA		1
236	873930500	MUTTER		1

**TRACTOR - - MODEL NO. LT2217A (96041003302), PRODUCT NO. 960 41 00-33
DECALS**



REF.	ART. NR	ARTIKELBESKRIVNING	ANMÄRKNING	KIT
1	532400389	DEKAL		1
2	532189553	DEKAL		1
3	532196841	DEKAL		1
4	532408653	DEKAL		1
5	532159736	DEKAL		1
6	532180432	DEKAL		1
7	532182166	DEKAL		1
8	532417251	DEKAL		1
9	532145005	DEKAL		1
10	532140837	DEKAL		1
11	532196357	DECALC:"DANGER DEFLECTEUR"		1
12	532160396	DEKAL		1
13	532159737	DEKAL		1
14	532185773	DEKAL		1
15	532183930	DEKAL		1
17	532409151	DEKAL		1
-	532409505	DYNA		1
-	532411273	DYNA		1
-	532162598	DEKAL		1
-	532166960	DEKAL		1
-	532417398	OPERATOR'S MANUAL		1
-	532409210	OPERATOR'S MANUAL		1
-	532409211	OPERATOR'S MANUAL		1
-	532409212	OPERATOR'S MANUAL		1

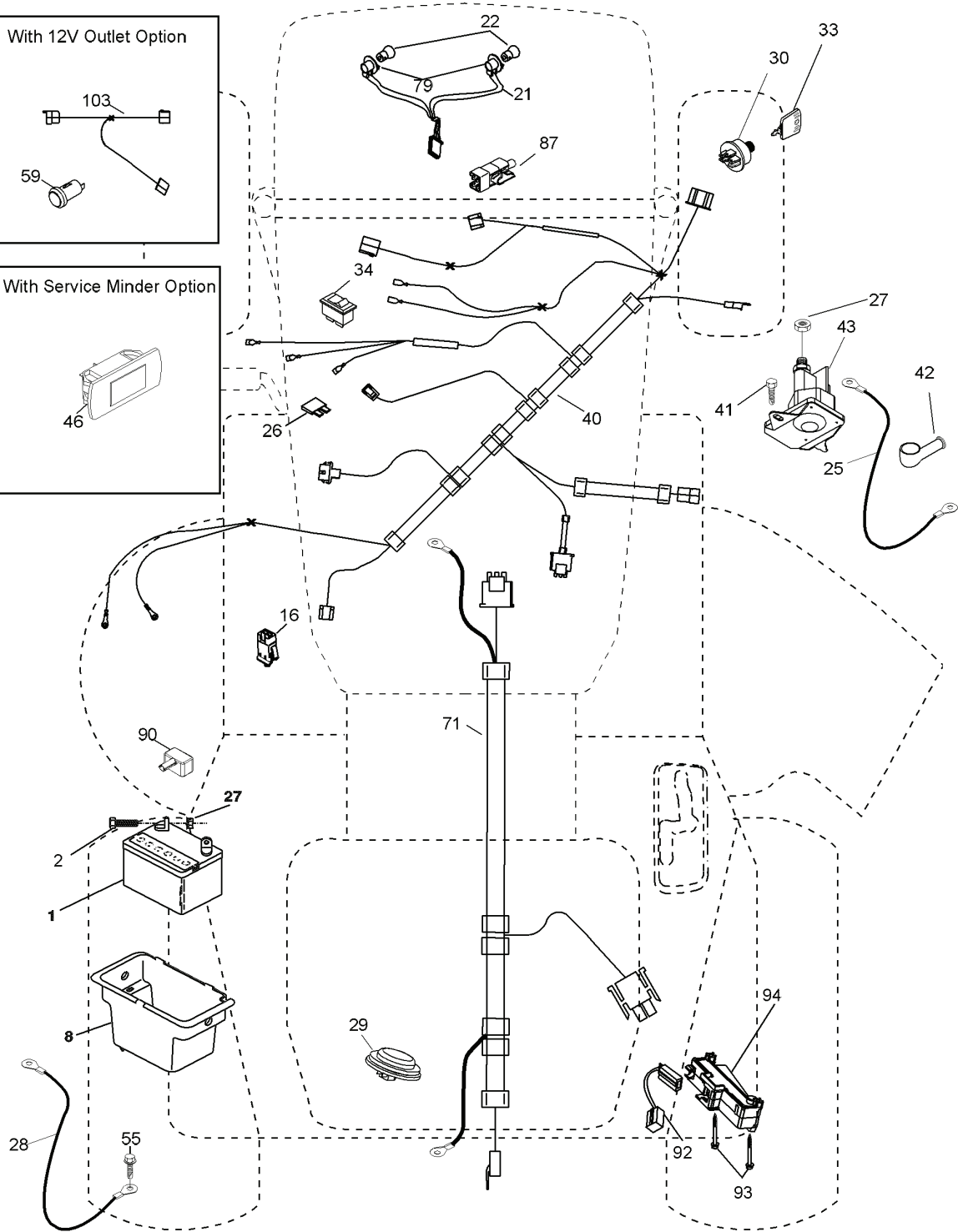
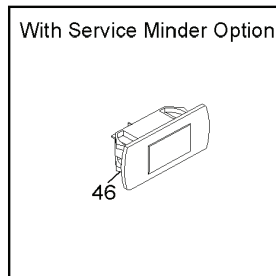
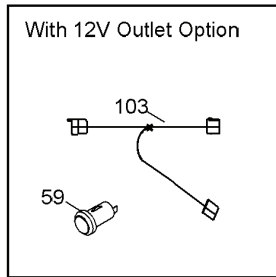
**TRACTOR - - MODEL NO. LT2217A (96041003302), PRODUCT NO. 960 41 00-33
DRIVE**



REF.	ART. NR	ARTIKELBESKRIVNING	ANMÄRKNING	KIT
2	532123583	TANGENT		1
15	819131316	BRICKA		1
17	532197296	FJÄDER		1
22	532197660	STÅNG		1
23	532121274	KNOPP		1
29	532408391	STÅNG		1
33	812000001	FLÄNSRING		1
35	532197722	STÅNG		1
37	532121749	BRICKA		1
42	532124872	PEDAL RUBBER		1
49	872110614	BULT		1
50	532194327	REMSKIVA		1
51	873900600	MUTTER		1
52	532194326	REMSKIVA		1
56	532125907	REM		1
64	532196200	AXEL		1
70	532411329	KONSOL		1
73	874490544	SCREW		1
74	532142432	SCREW		1
80	532408393	STRAP.TORQUE.FS.T2	*SUBS/2*	1
99	532408418	STÅNG		1
114	873800500	LOCK NUT		1
116	873900500	MUTTER		1
121	532175611	CHAPPE DE FIXATION		1
122	872010520	BULT		1
125	817000512	SCREW		1
148	817000612	SCREW		1
153	532124788	FLÄNSRING		1
159	876020412	SPLIT PIN		1
160	532169484	TAPP		1
161	532105709	FJÄDER		1
162	532408784	ADAPTER.TRANSAXLE.T2.T*	SUBS/2*	1
165	532196212	BUSHING		1
166	532197290	MUTTER		1
167	532405257	SPÄRRHAKE		1
170	532413430	REMSTYRARE		1
171	872110622	BULT		1
174	532197289	MUTTER		1
175	532408539	AXEL		1
176	532196214	ARM		1
178	532197456	FJÄDER		1
183	532156972	DISTANSBRICKA		1
184	532411289	KNOPP		1
185	872110620	BULT		1
186	532194321	DISTANSBRICKA		1
187	819133210	BRICKA		1
188	532194323	LÄNK		1
189	532194317	PLATTA		1
190	532194318	REMSTYRARE		1
205	532121748	BRICKA		1
221	532403187	FJÄDER		1
231	532407287	REMSKIVA		1
232	874780716	BULT		1
233	532405296	BRICKA		1
268	819131614	BRICKA		1
275	532182402	PROTECTOR		1
279	532408538	LINK.SHIFT.T2.TEX	*SUBS/2*	1

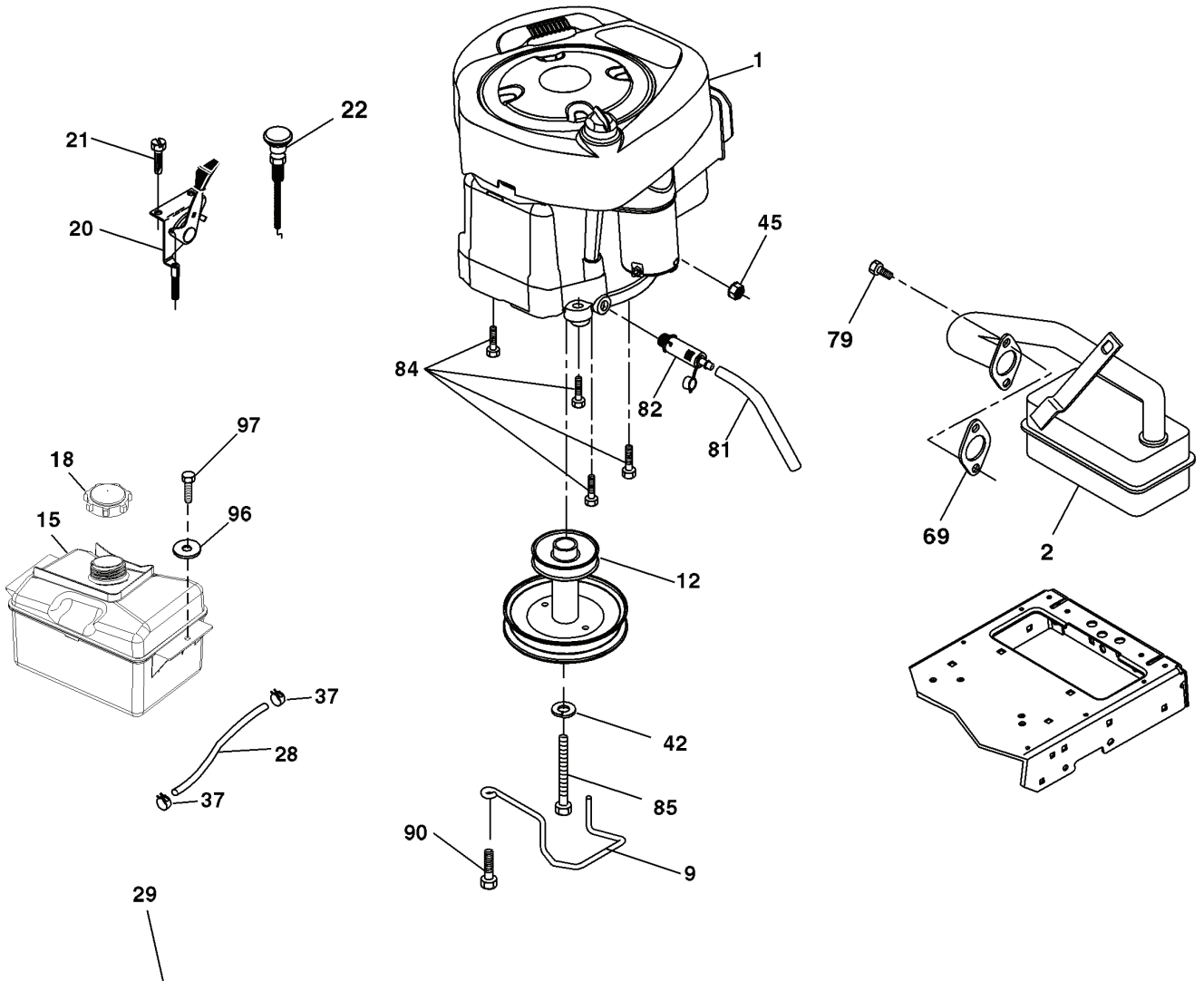
**TRACTOR - - MODEL NO. LT2217A (96041003302), PRODUCT NO. 960 41 00-33
ELECTRICAL**

T02S



REF.	ART. NR	ARTIKELBESKRIVNING	ANMÄRKNING	KIT
1	532144927	BATTERI		1
2	874760412	BULT		1
8	532193228	LÅDA		1
16	532176138	MIKROBRYTARE		1
21	532183759	SELE		1
22	532004152	GLÖDLAMPA		1
25	532401662	KABEL		1
26	532175158	SÄKRING		1
27	873510400	MUTTER		1
28	532198885	KABEL		1
29	532401545	BRYTARE		1
30	532193350	TÄNDMODUL		1
33	532411935	TANGENT		1
34	532110712	BRYTARE		1
40	532401098	KABEL		1
41	817720408	SCREW		1
42	532131563	KÅPA		1
43	532192507	SOLENOID		1
55	817060512	SCREW		1
71	532400449	KABEL		1
79	532175242	HÅLLARE		1
87	532197802	BRYTARE		1
90	532400725	KÅPA		1
92	532196615	KABLAGE KPL		1
93	532192540	SCREW		1
94	532191834	MODULE.REVERSE.ROS		1

**TRACTOR - - MODEL NO. LT2217A (96041003302), PRODUCT NO. 960 41 00-33
ENGINE**



OPTIONAL EQUIPMENT
Spark Arrester

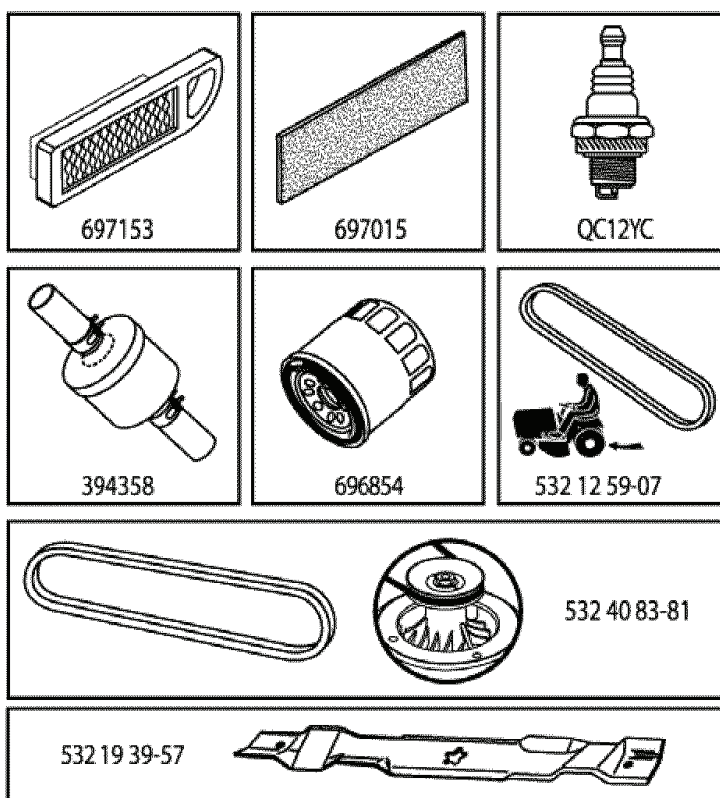
REF.	ART. NR	ARTIKELBESKRIVNING	ANMÄRKNING	KIT
2	532137352	LJUDDÄMPARE		1
9	532194319	REMSSTYRARE		1
12	532401985	REMSKIVA		1
15	532407545	BRÄNSLETANK		1
18	532197725	PLUGG		1
20	532183897	REGLAGE		1
21	532191611	SCREW		1
22	532194981	REGLAGE		1
28	532137040	SLANG		1
29	532137180	SPARK ARRESTER KIT		1
37	532123487	SLANGKLÄMMA		1
42	810040700	BRICKA		1
45	873510400	MUTTER		1
69	532165291	PACKNING		1
79	532192334	SCREW		1
81	532148456	RÖR		1
82	532181654	PLUGG		1
84	817060620	SCREW		1
90	817000616	SCREW		1
95	532173937	BULT		1
96	819091416	BRICKA		1
97	817670412	SCREW		1

ILLUSTRATED PARTS LIST

MODEL NO. 96041003302

CUSTOMER CATALOG NO. LT2217A

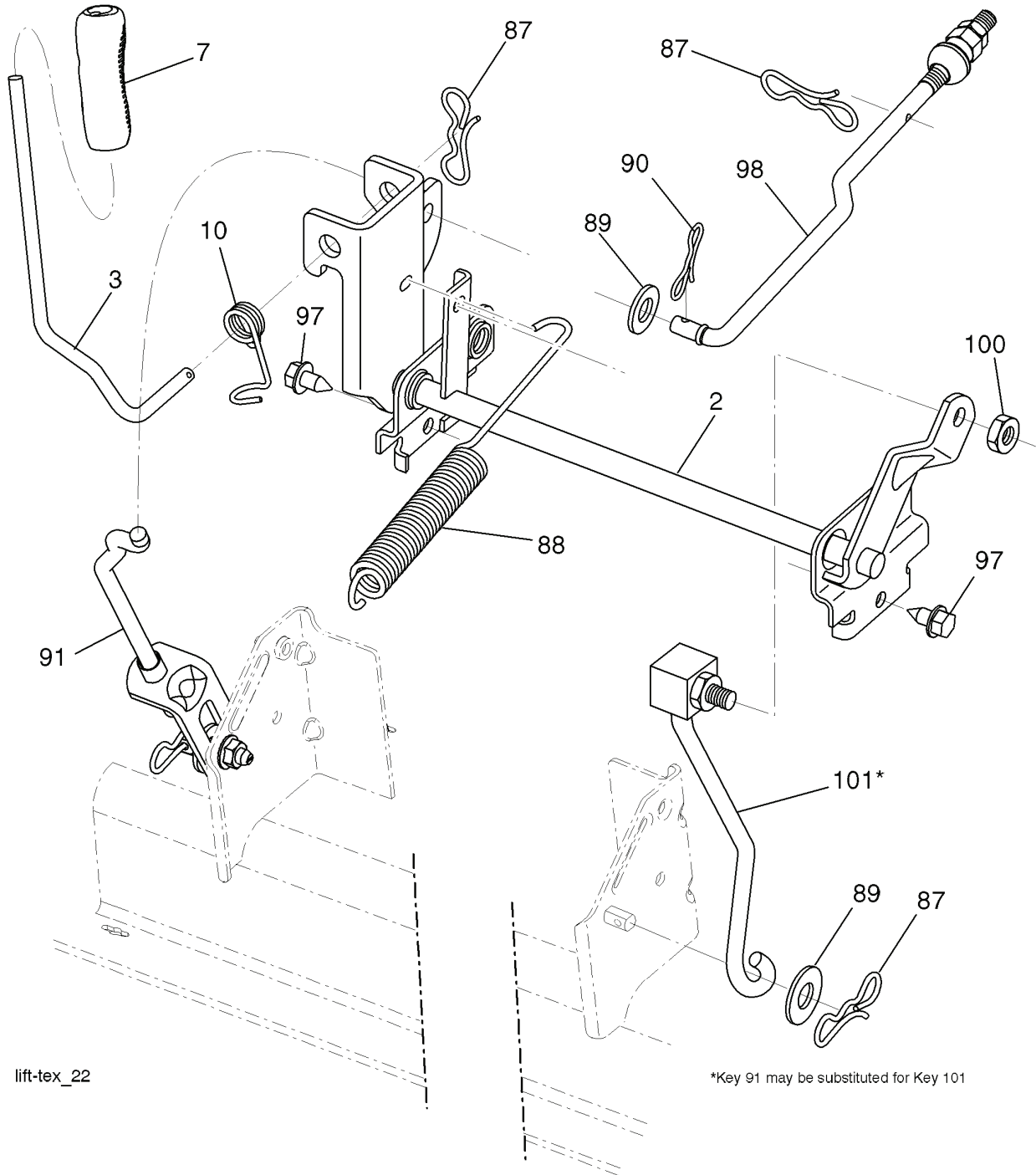
PRODUCT NO. 960 41 00-33



REF.	ART. NR	ARTIKELBESKRIVNING	ANMÄRKNING	KIT
697153	697153	LUFTFILTER		1
394358	394358	FILTER		1
532 13 89-71	532138971	KNV		1
697015	697015	FÖRFILTER		1
696854	696854	LFILTER CTH170		1
532 12 59-07	532125907	REM		1
532 19 72-53	532197253	REM		1

REF.	ART. NR	ARTIKELBESKRIVNING	ANMÄRKNING	KIT
1	532196495	HUS		1
6	532195186	ARM		1
7	532191611	SCREW		1
8	532193003	SCREW		1
11	532138971	KNIV		1
13	532192872	AXEL KPL		1
14	532187281	LAGERHUS		1
15	532110485	LAGER		1
16	532174493	STRIPPER, MANDREL BLACK		1
19	532196539	BULT		1
20	532159770	BALK		1
21	873680500	MUTTER		1
23	532192557	GÅNGJÄRN		1
24	532105304	NAVKAPSEL		1
25	532197026	VRIDFJÄDER		1
26	532110452	MUTTER		1
27	532403004	SKÄRM		1
29	532131491	AXEL		1
30	532173984	SCREW		1
31	532187690	BRICKA		1
32	532197473	REMSKIVA		1
33	532400234	MUTTER		1
34	872110612	BULT		1
36	532197379	REMSKIVA		1
37	819131316	BRICKA		1
38	532199189	REMSTYRARE		1
40	873900600	MUTTER		1
42	532198410	FJÄDER		1
43	532197256	FJÄDER		1
46	532137729	SCREW		1
47	532197250	FÄSTE		1
55	532197249	ARM		1
56	532199092	DISTANSBRICKA		1
57	817000616	SCREW		1
59	532141043	SKYDD		1
60	532197261	ARM		1
62	872110616	BULT		1
63	532199477	ARM		1
64	532199790	LÄNK		1
67	532403012	HANDTAG		1
68	532197253	REM		1
69	872140505	BULT		1
70	532198332	KOPPLING		1
113	817000510	BULT		1
116	532124842	BULT		1
117	532188606	HJUL		1
118	873930600	MUTTER		1
119	819121414	BRICKA		1
122	532197258	REMSTYRARE		1
123	532197259	REMSTYRARE		1
144	532199204	REMSTYRARE		1
145	532193197	REMSKIVA		1
147	532401971	FJÄDER		1
152	532408714	KABEL		1
188	532195161	STUD		1
189	873900500	MUTTER		1
192	532197260	FÄSTE		1
195	817000612	SCREW		1
-	532192870	SPINDEL		1
-	532199608	KLIPPAGGREGAT		1

**TRACTOR - - MODEL NO. LT2217A (96041003302), PRODUCT NO. 960 41 00-33
MOWER LIFT**



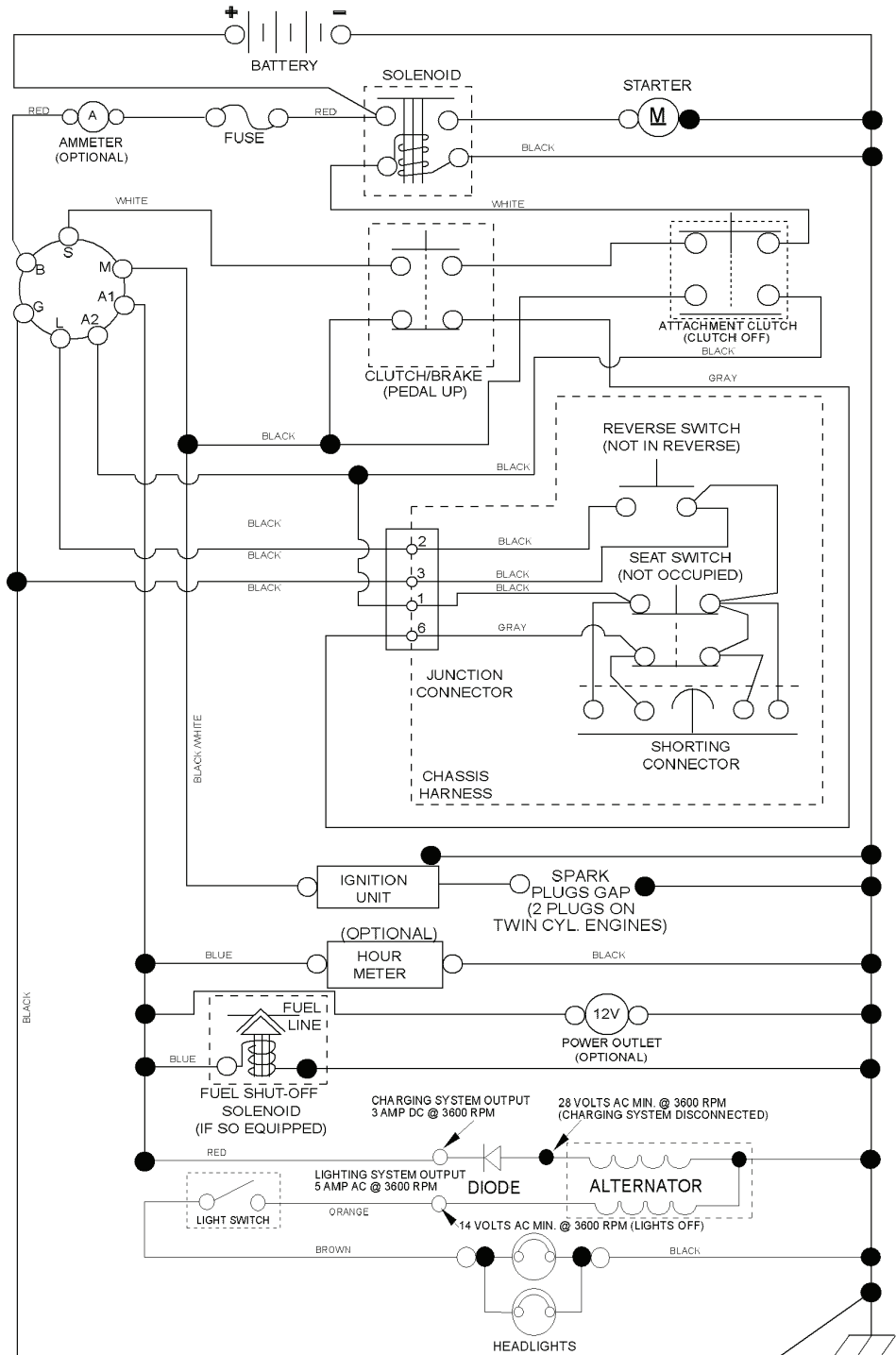
lift-tex_22

*Key 91 may be substituted for Key 101

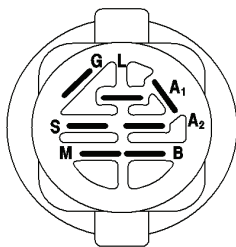
REF.	ART. NR	ARTIKELBESKRIVNING	ANMÄRKNING	KIT
2	532195223	AXEL		1
3	532195231	HÄVARM		1
7	532411555	GREPP		1
10	532196314	FJÄDER		1
87	532194209	FJÄDER		1
88	532410710	FJÄDER		1
89	819191912	BRICKA		1
90	532194208	TAPP		1
91	532195181	LÄNK		1
97	817000612	SCREW		1
98	532195270	LÄNK		1
100	873930600	MUTTER		1

TRACTOR - - MODEL NO. LT2217A (96041003302), PRODUCT NO. 960 41 00-33 SCHEMATIC

SCH11

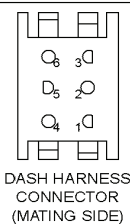
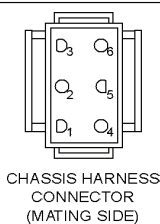


NOTE
YOUR TRACTOR IS EQUIPPED WITH A SPECIAL ALTERNATOR SYSTEM. THE LIGHTS ARE NOT CONNECTED TO THE BATTERY, BUT HAVE THEIR OWN ELECTRICAL SOURCE. BECAUSE OF THIS, THE BRIGHTNESS OF THE LIGHTS WILL CHANGE WITH ENGINE SPEED. AT IDLE THE LIGHTS WILL DIM. AS THE ENGINE IS SPEEDED UP, THE LIGHTS WILL BECOME THEIR BRIGHTEST.



IGNITION SWITCH

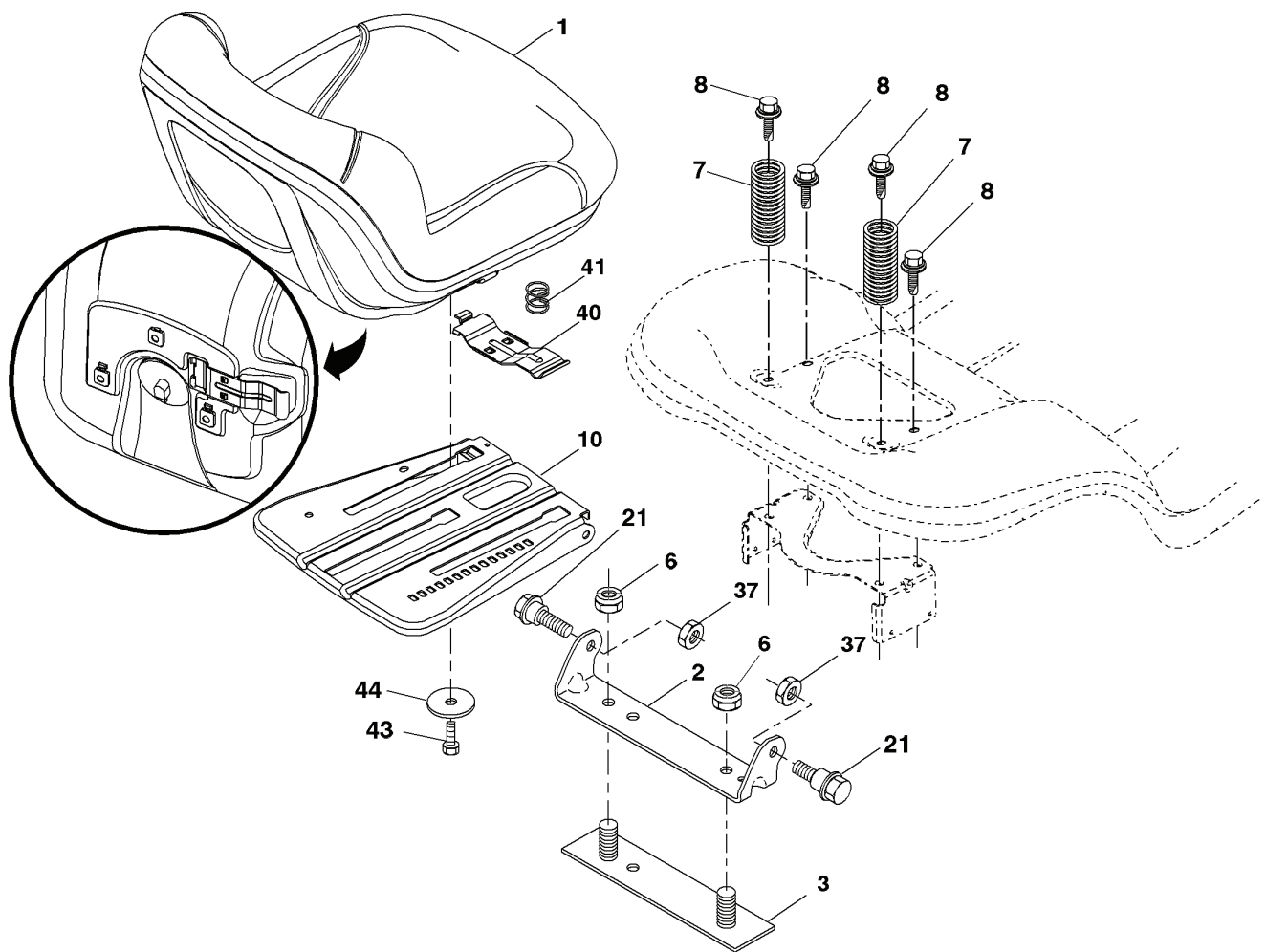
POSITION	CIRCUIT	"MAKE"
OFF	M+G+A1	
RUN/OVERRIDE	B+A1	
RUN	B+A1	L+A2
START	B + S + A1	



WIRING INSULATED CLIPS
NOTE: IF WIRING INSULATED CLIPS WERE REMOVED FOR SERVICING OF UNIT, THEY SHOULD BE RE-INSTALLED TO PROPERLY SECURE YOUR WIRING.

NON-REMOVABLE CONNECTIONS
REMOVABLE CONNECTIONS

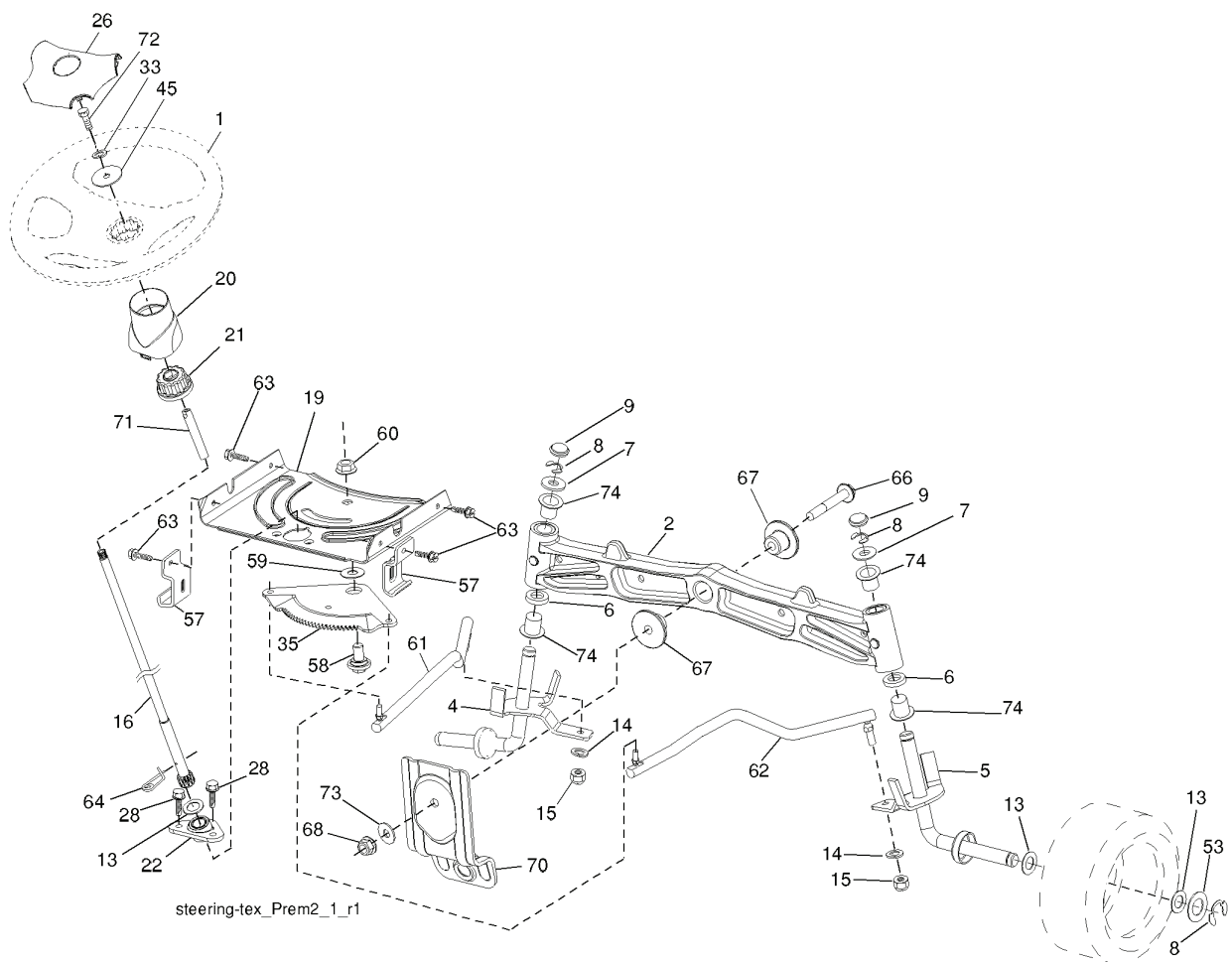
**TRACTOR - - MODEL NO. LT2217A (96041003302), PRODUCT NO. 960 41 00-33
SEAT ASSEMBLY**



seat-tex_7A-vgt

REF.	ART. NR	ARTIKELBESKRIVNING	ANMÄRKNING	KIT
1	532197511	SÅTE		1
2	532180166	FÄSTE		1
3	532140675	SPÄNNBAND		1
6	873800600	MUTTER		1
7	532124181	FJÄDER		1
8	532171877	BULT		1
10	532196977	PLATTA		1
21	532171852	BULT		1
37	873800500	LOCK NUT		1
40	532197661	HANDTAG		1
41	532198200	FJÄDER		1
43	874760612	BULT		1
44	819133812	BRICKA		1

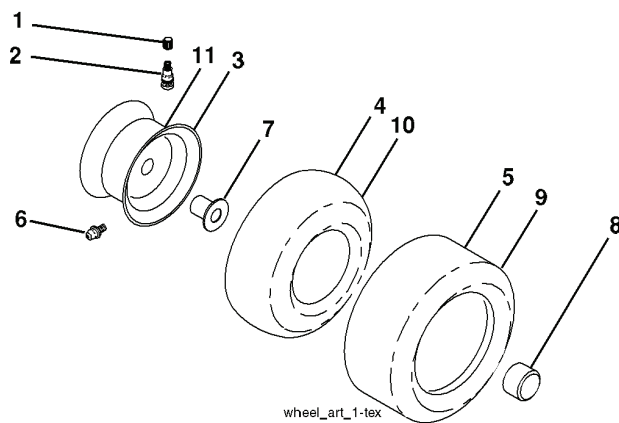
**TRACTOR - - MODEL NO. LT2217A (96041003302), PRODUCT NO. 960 41 00-33
STEERING ASSEMBLY**



REF.	ART. NR	ARTIKELBESKRIVNING	ANMÄRKNING	KIT
1	532194637	RATT		1
2	532195673	AXEL		1
4	532403087	SPINDEL		1
5	532403088	SPINDEL		1
6	532124931	BRICKA		1
7	532121748	BRICKA		1
8	812000029	FLÄNSRING		1
9	532121232	NAVKAPSEL		1
13	532121749	BRICKA		1
14	810040600	BRICKA		1
15	873540600	MUTTER		1
16	532196074	AXEL		1
19	532194729	PLATTA		1
20	532411291	RATTKOLONN		1
21	532186737	ADAPTER		1
22	532194845	BUSHING		1
26	532194603	NAV		1
28	817000612	SCREW		1
33	810040500	BRICKA		1
35	532194732	PLATTA		1
45	819113812	BRICKA		1
53	532188967	BRICKA		1
57	532407465	FÄSTE		1
58	532194747	BULT		1
59	532194748	BRICKA		1
60	873971000	MUTTER		1
61	532194740	LÄNK		1
62	532194741	LÄNK		1
63	817000512	SCREW		1
64	532199849	FJÄDERFÄSTE		1
66	871020748	BULT		1
67	532194737	BUSHING		1
68	873900700	MUTTER		1
70	532196197	FÄSTE		1
71	532196075	AXEL		1
72	874780572	BULT		1
73	532199162	BRICKA		1
74	532124937	BEARING COL. STRG.		1

TRACTOR - - MODEL NO. LT2217A (96041003302), PRODUCT NO. 960 41 00-33

WHEELS AND TIRES



wheel_art_1.tex

REF.	ART. NR	ARTIKELBESKRIVNING	ANMÄRKNING	KIT
1	532059192	CAP VALVE		1
2	532065139	NIPPEL		1
3	532138336	FÄLG		1
4	532059904	SLANG		1
5	532106222	DÄCK		1
6	532124957	FITTING		1
7	532124959	LAGER		1
8	532175039	NAVKAPSEL		1
9	532106268	DÄCK		1
-	532420531	DÄCK		1
10	532124926	SLANG		1
11	532138337	RINGDREV		1
-	532144334	SEALING FOAM		1
	ART. NR		ANMÄRKNING	KIT