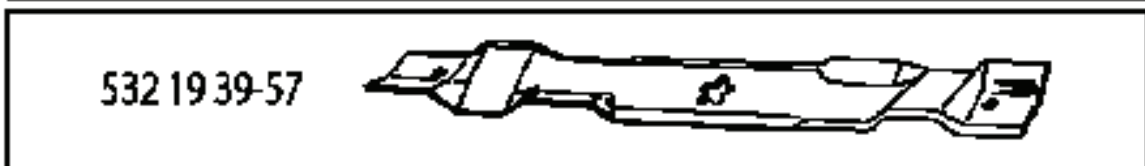
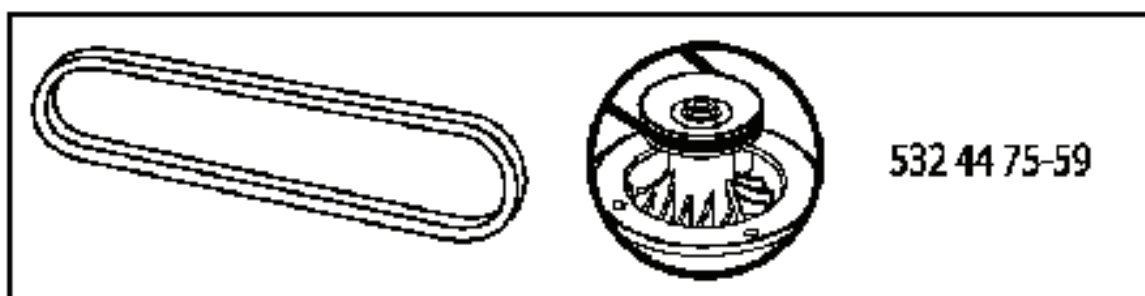
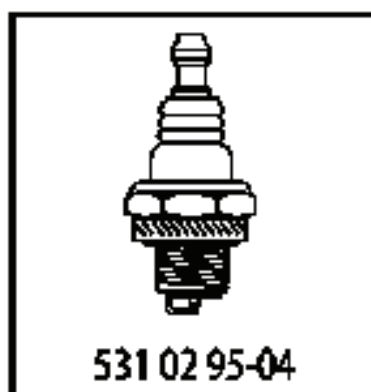
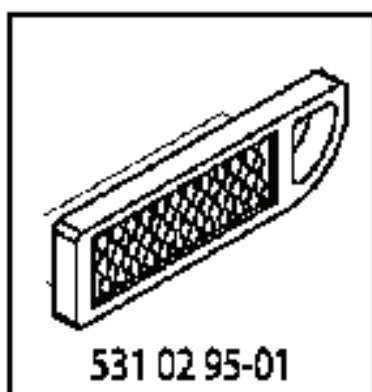


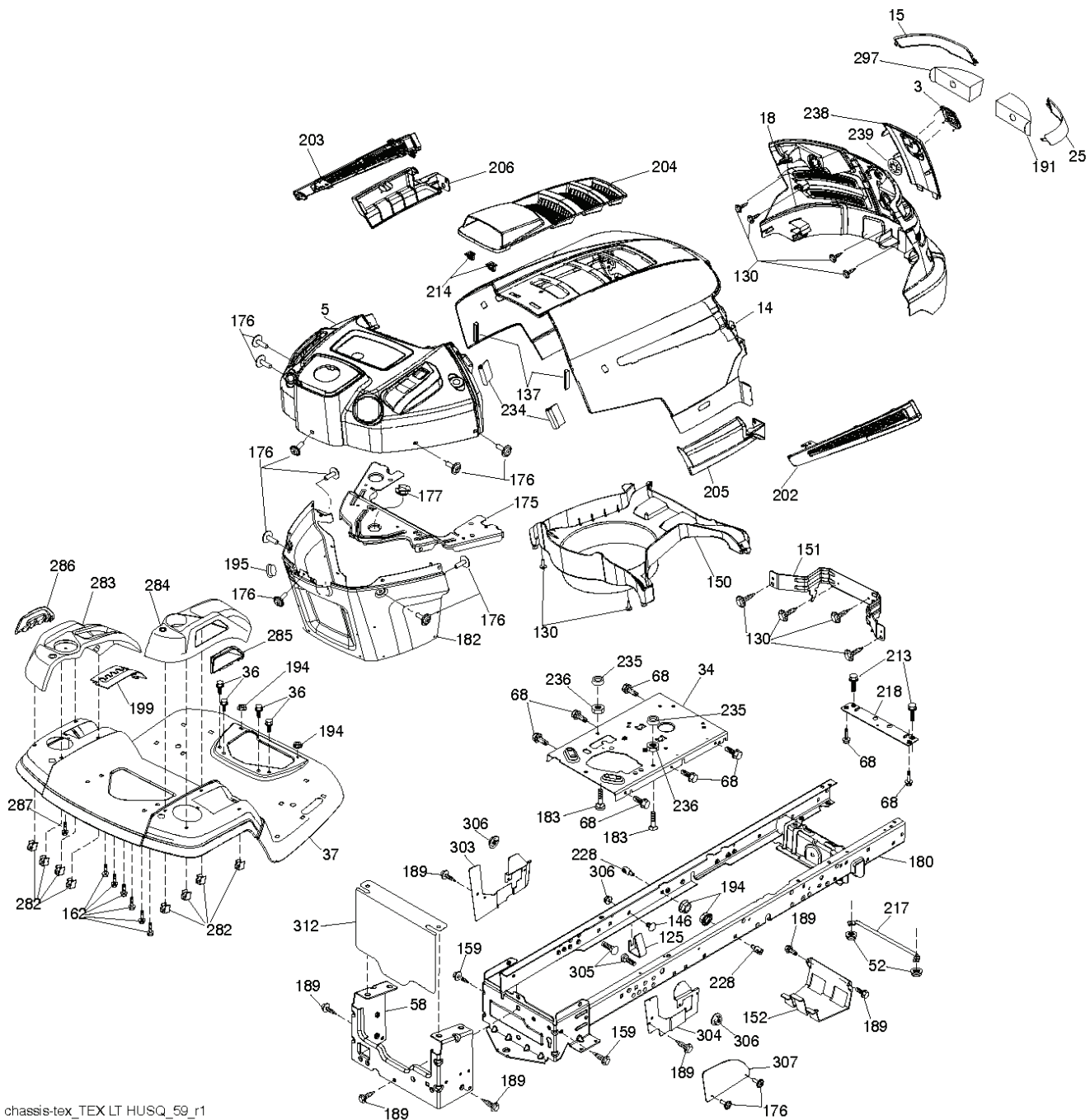
RESERVDELSKATALOG
: HUSQVARNA

Reservdelslista

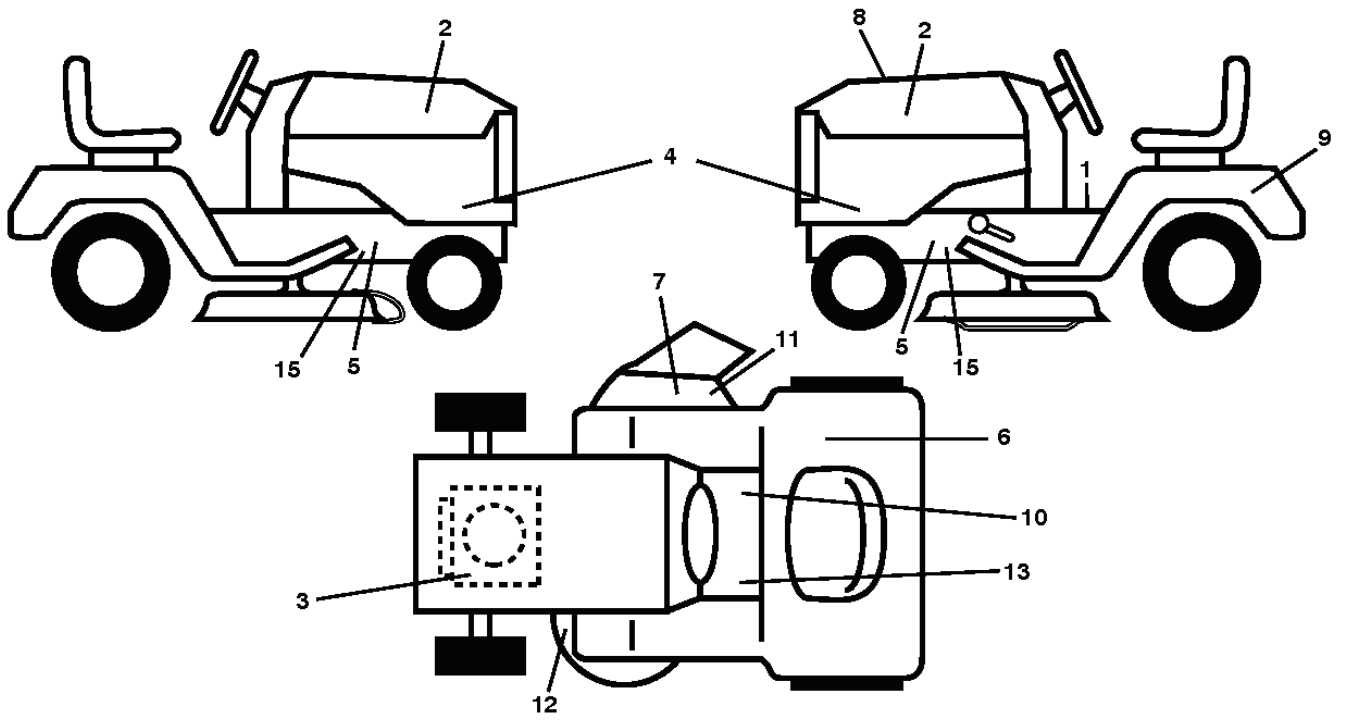
RESERVDELSLISTA



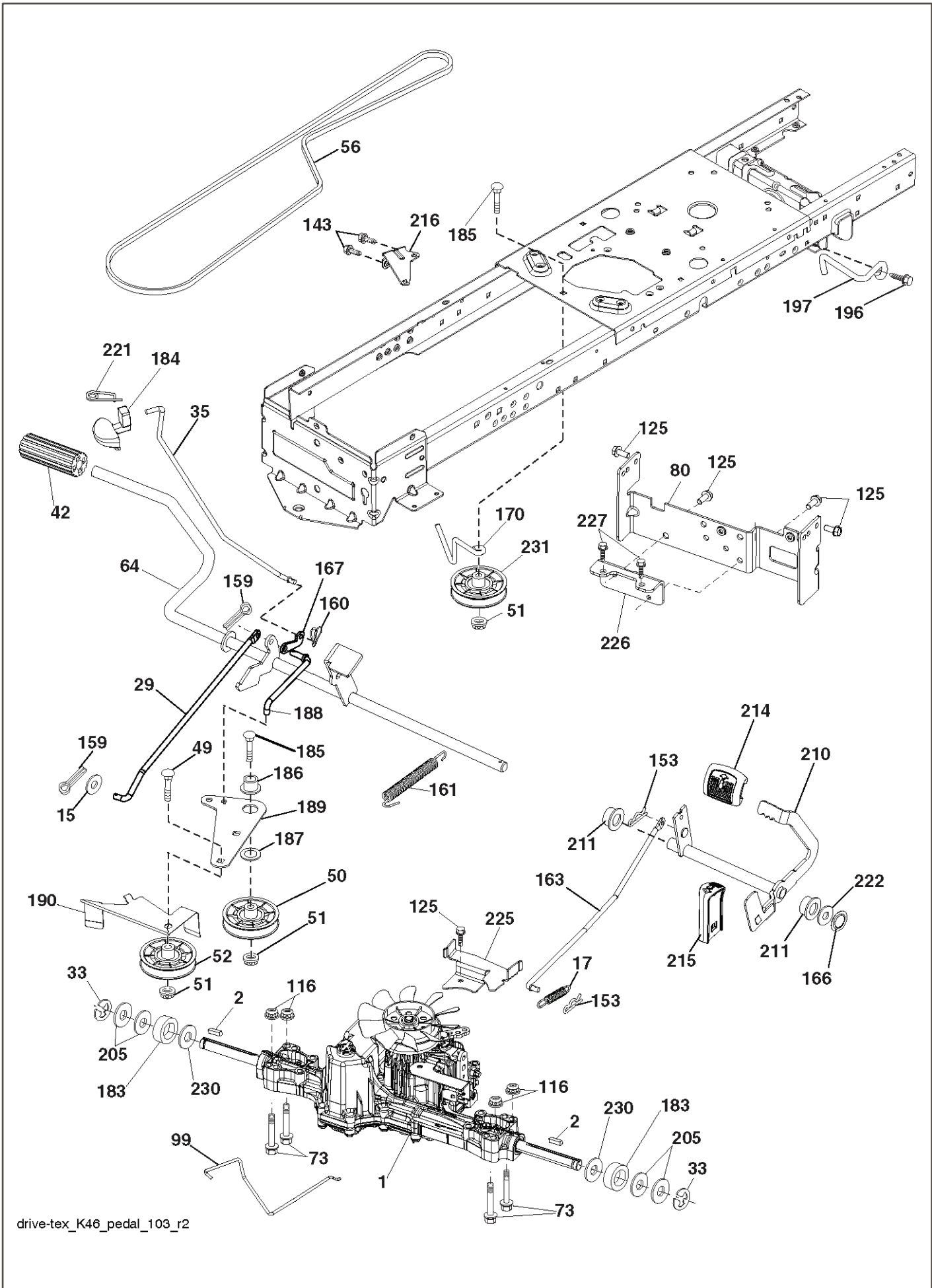
REF.	ART. NR	ARTIKELBESKRIVNING	ANMÄRKNING	KIT
531029501	531029501	LUFTFILTER		1
531029504	531029504	TÄNDSTIFT		1
531029502	531029502	FILTER		1
531029503	531029503	FILTER		1
532130969	532130969	REM		1
532447559	532447559	REM		1
532193957	532193957	RIDE ON BLADE		1



REF.	ART. NR	ARTIKELBESKRIVNING	ANMÄRKNING	KIT
3	581056301	LOGOTYP		1
5	532438966	PANEL		1
14	532441267	HUV		1
15	532441428	LINS		1
18	532441368	GRILLE		1
25	532441427	LINS		1
34	532447253	PLATTA		1
36	817060512	SCREW		1
37	532441266	STÄNKSKÄRM		1
52	873680500	MUTTER		1
58	532412280	PLATTA		1
68	817490508	SCREW		1
125	581684801	KLÄMMA		1
130	532416358	SCREW		1
137	532407590	DAMPING PIECE		1
146	581857901	BULT		1
150	532407537	LUFTLEDARE		1
151	532407807	FÄSTE		1
152	532199535	SKÄRM		1
159	817000612	SCREW		1
162	532142432	SCREW		1
175	532199472	PLATTA		1
176	532400776	SCREW		1
177	532195228	BUSHING		1
180	532415063	RAM		1
182	532407176	PANEL		1
183	874520520	BULT		1
189	817000512	SCREW		1
191	532416501	INSATS		1
194	873900500	MUTTER		1
195	532439976	PLUGG		1
199	532413485	PLATTA		1
202	532441342	KÅPA		1
203	532441343	KÅPA		1
204	532441375	KÅPA		1
205	532441344	SKIRT		1
206	532441345	SKIRT		1
213	874760512	BULT		1
214	532199145	KLÄMMA		1
217	532409167	STÅNG		1
218	532196395	PLATTA		1
228	532195161	STUD		1
234	532404742	DAMPING PIECE		1
235	532406129	DISTANSBRICKA		1
236	873930500	MUTTER		1
238	532441374	SPARE PARTS		1
239	532404883	KLÄMMA		1
282	532414110	KLÄMMA		1
283	532442039	DECK		1
284	532444164	KONSOL		1
285	532416315	KONSOL		1
286	532416317	KONSOL		1
287	817600406	SCREW		1
297	532406665	INSATS		1
303	532420959	SKÄRM		1
304	532421509	SKÄRM		1
305	872110606	BULT		1
306	873900600	MUTTER		1
307	532424570	SKÄRM		1
312	532425926	SKÄRM		1



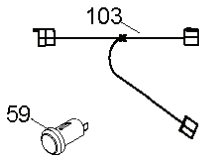
REF.	ART. NR	ARTIKELBESKRIVNING	ANMÄRKNING	KIT
1	532400389	DEKAL		1
2	581627301	DEKAL		1
3	532196841	DEKAL		1
4	532448069	DEKAL		1
5	532159736	DEKAL		1
6	532180432	DEKAL		1
7	532182166	DEKAL		1
8	532448060	DEKAL		1
9	532145005	DEKAL		1
10	532140837	DEKAL		1
11	532196357	DECALC."DANGER DEFLECTEUR"		1
12	532194302	DECALC.SCHEMA MONTAGE		1
13	532159737	DEKAL		1
15	532401146	DEKAL		1
--	532166960	DEKAL		1
--	532162598	DEKAL		1
--	532439681	PLATTA		1
--	532439682	DYNA		1



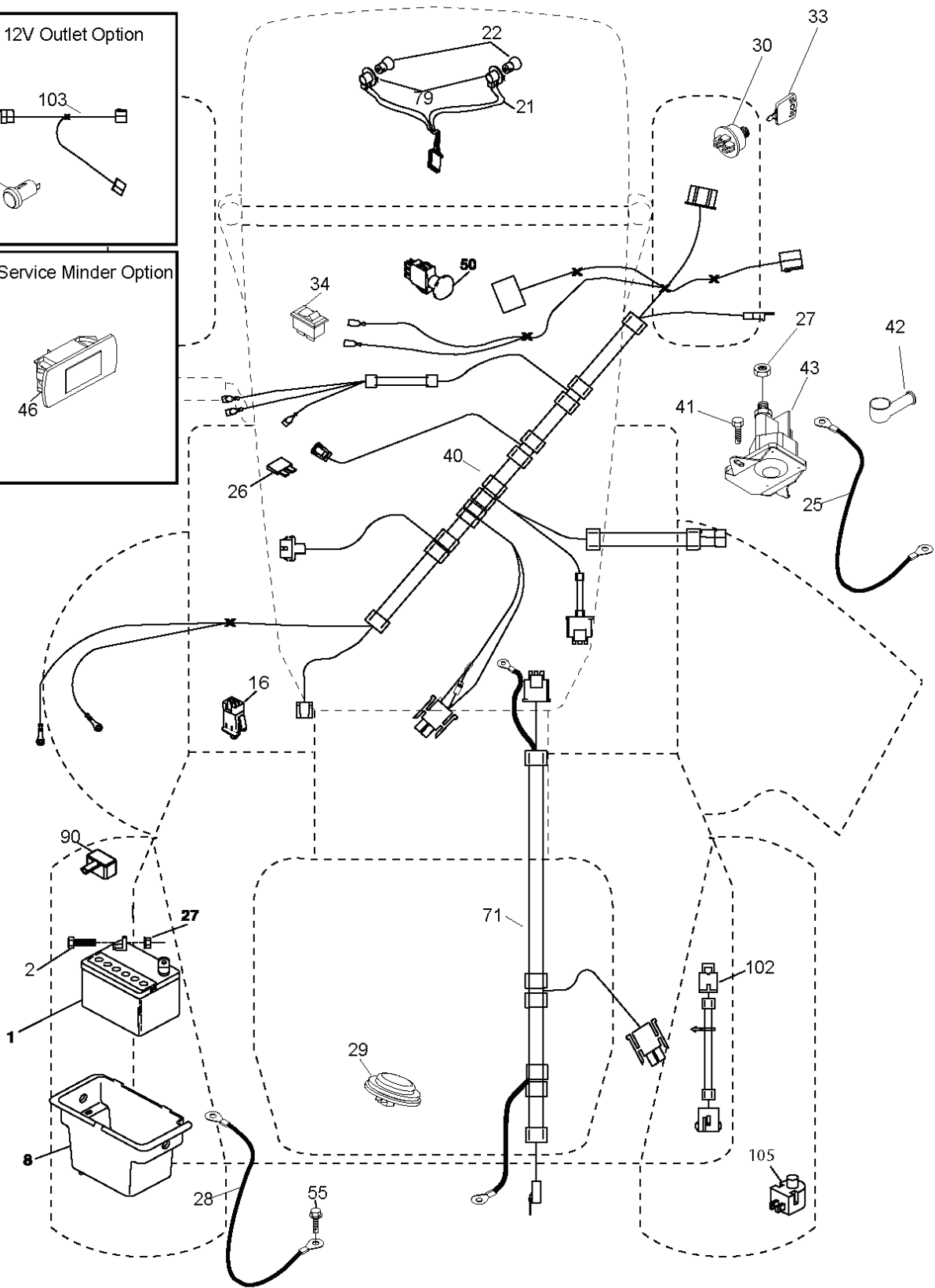
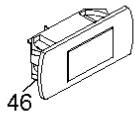
REF.	ART. NR	ARTIKELBESKRIVNING	ANMÄRKNING	KIT
1	000000000	W/O DESCRIPTION	TRANSAXLE TUFFTORO MODEL K46BT (426120)	1
2	532123583	TANGENT		1
15	819131316	BRICKA		1
17	532413678	SRPING.BRAKE.K46.GREEN*SUBS/2*		1
29	532403806	STÄNG		1
33	812000001	FLÄNSRING		1
35	532401031	STÄNG		1
42	532124872	PEDAL RUBBER		1
49	872110614	BULT		1
50	532194327	REMSKIVA		1
51	873900600	MUTTER		1
52	532194326	REMSKIVA		1
56	532130969	REM		1
64	532197865	AXEL		1
73	874490540	BULT		1
80	532440619	SPÄNNBAND		1
99	532415742	STÄNG		1
116	873900500	MUTTER		1
125	817000512	SCREW		1
143	817490508	SCREW		1
153	532124788	FLÄNSRING		1
159	876020412	SPLIT PIN		1
160	532169484	TAPP		1
161	532105709	FJÄDER		1
163	532448275	REGLAGE		1
166	532429164	MUTTER		1
167	532405257	SPÄRRHAKE		1
170	532413430	REMSTYRARE		1
183	532137057	DISTANSBRICKA		1
184	532441407	BROMS		1
185	872110622	BULT		1
186	532194321	DISTANSBRICKA		1
187	819133210	BRICKA		1
188	532194323	LÄNK		1
189	532194317	PLATTA		1
190	532194318	REMSTYRARE		1
196	817000616	SCREW		1
197	532195804	FÄSTE		1
205	532121748	BRICKA		1
210	532400980	PEDALARM		1
211	532120183	LAGER		1
214	532421263	DYNA		1
215	532401723	PEDALGUMMI		1
216	532196131	FÄSTE		1
221	532403187	FJÄDER		1
222	879212010	BRICKA		1
225	532403319	REMSTYRARE		1
226	532401564	FÄSTE		1
227	817490512	SCREW		1
230	532188967	BRICKA		1
231	532407287	REMSKIVA		1

T12S

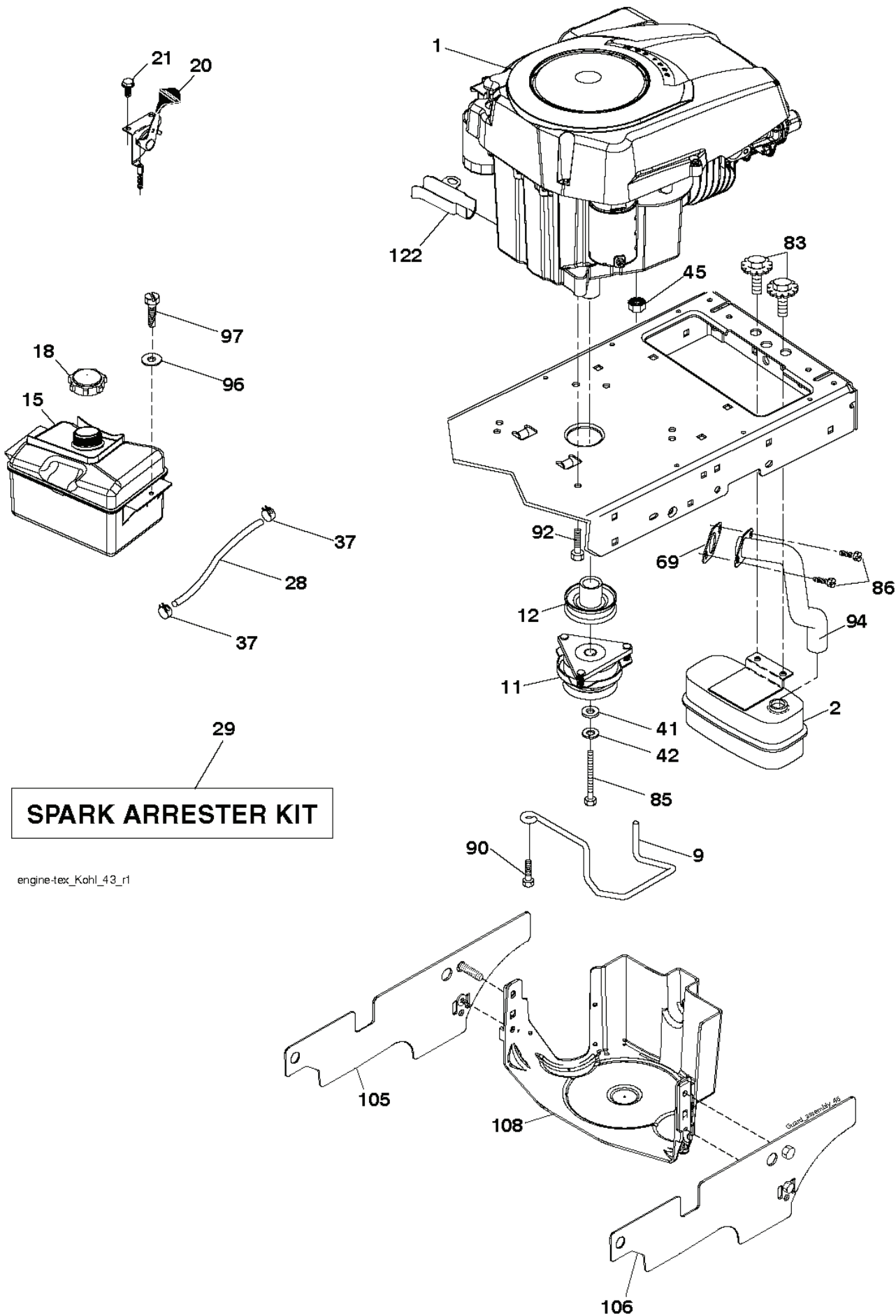
With 12V Outlet Option



With Service Minder Option



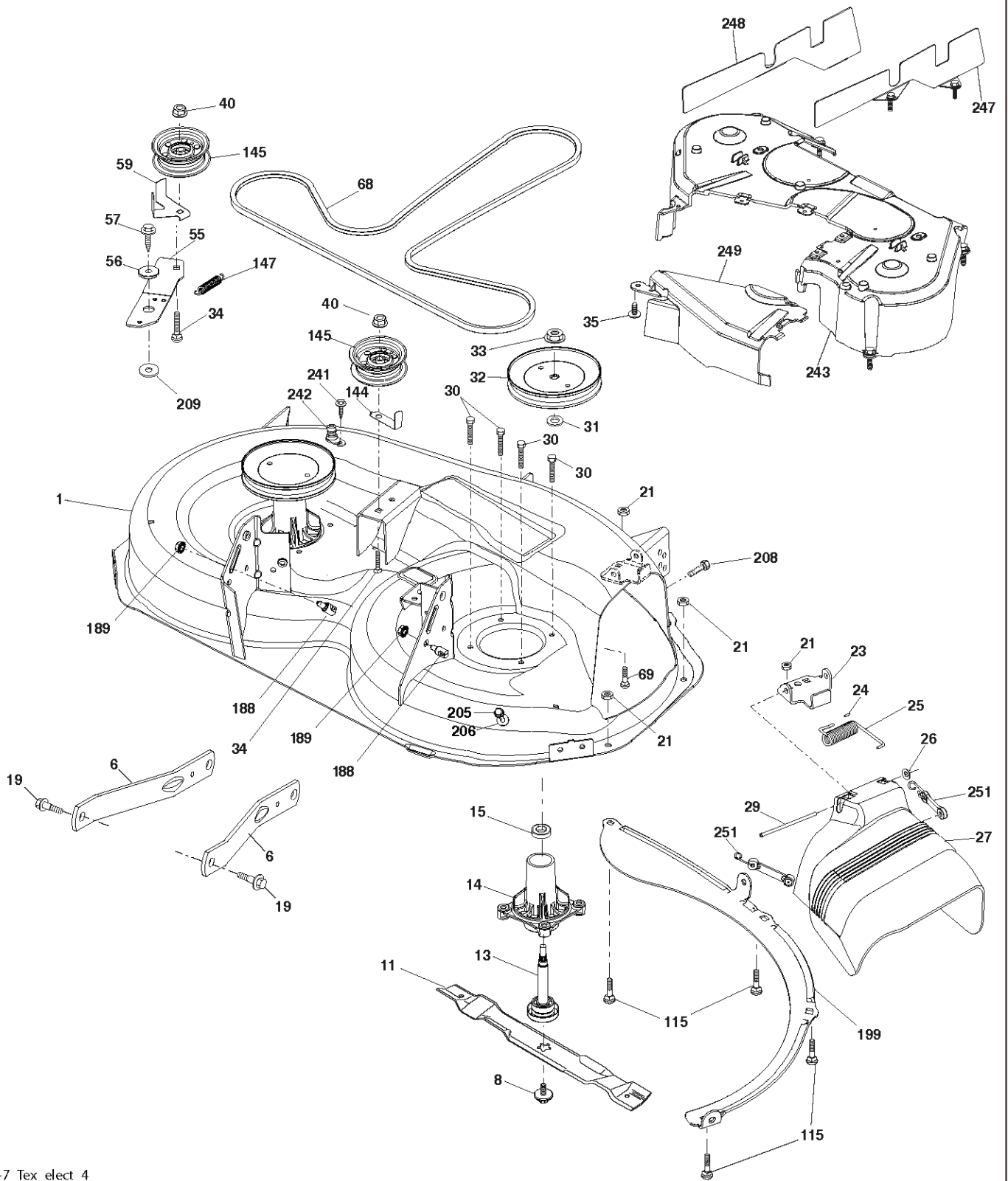
REF.	ART. NR	ARTIKELBESKRIVNING	ANMÄRKNING	KIT
1	532163465	BATTERI		1
2	874760412	BULT		1
8	532193228	LÅDA		1
16	532176138	MIKROBRYTARE		1
21	532400252	SELE		1
22	532004152	GLÖDLAMPA		1
25	532412894	CABLE.STARTER.GGA.BL/R*SUBS/2*		1
26	532175158	SÄKRING		1
27	873510400	MUTTER		1
28	532198885	KABEL		1
29	532401545	BRYTARE		1
30	532193350	TÄNDMODUL		1
33	532411935	TANGENT		1
34	532110712	BRYTARE		1
40	532401104	KABLAGE KPL		1
41	817720408	SCREW		1
42	532131563	KÅPA		1
43	532192507	SOLENOID		1
50	532174651	BRYTARE		1
55	817060512	SCREW		1
71	532400449	KABEL		1
79	532175242	HÅLLARE		1
90	532435395	KOPPLINGS SKYDD		1
102	532404454	KABEL		1
105	532407568	BRYTARE		1



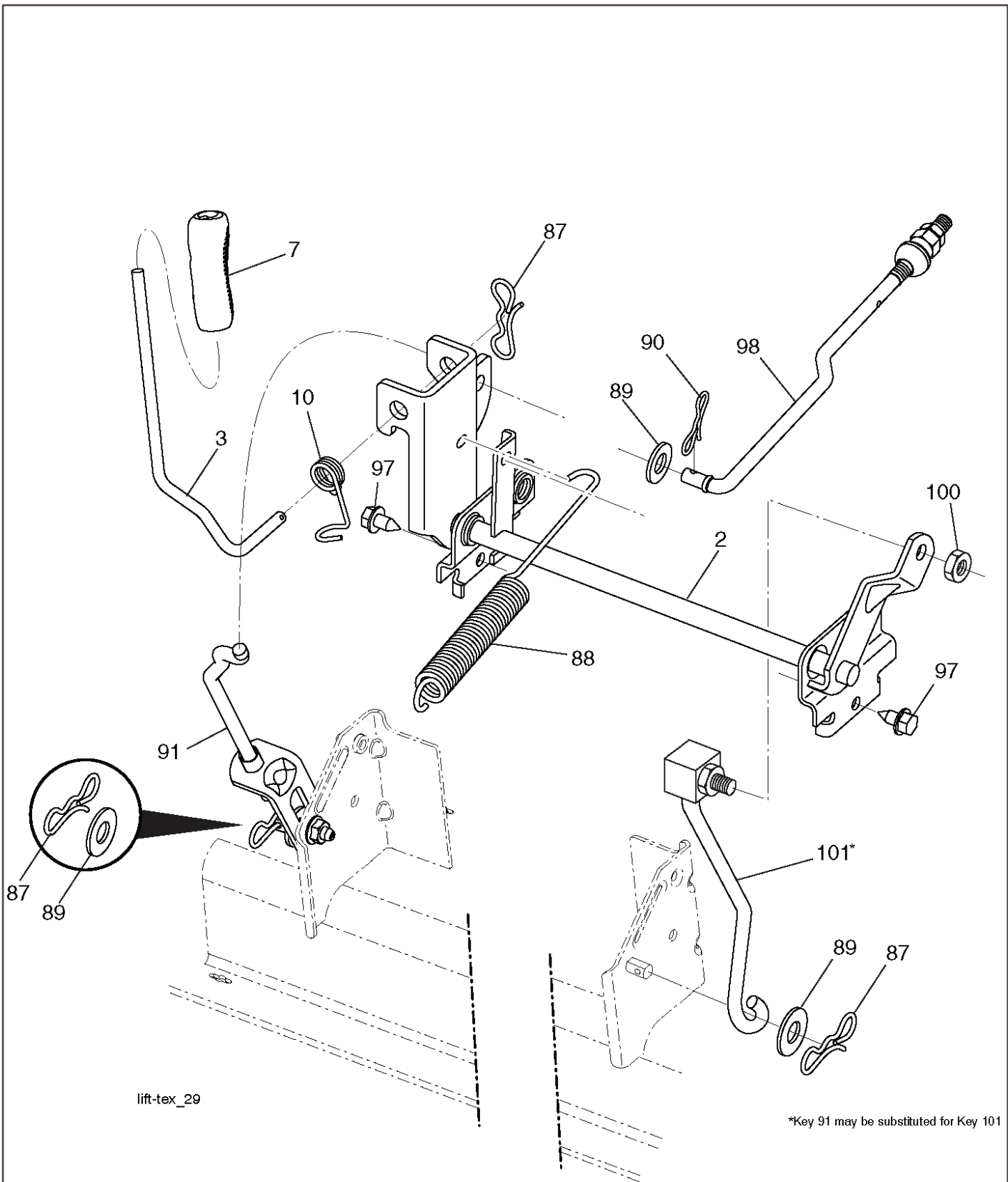
SPARK ARRESTER KIT

engine-tex_Kohl_43_r1

REF.	ART. NR	ARTIKELBESKRIVNING	ANMÄRKNING	KIT
1	000000000	W/O DESCRIPTION	Engine Kohl Model No. SV470-3212(438330)	1
2	532188655	LJUDDÄMPARE		1
9	532194320	REMSTYRARE		1
11	532180505	KOPPLING		1
12	532405097	REMSKIVA		1
15	532407545	BRÄNSLETANK		1
18	532430220	FUEL CAP		1
20	532183897	REGLAGE		1
21	532416358	SCREW		1
28	532137040	SLANG		1
29	532137180	SPARK ARRESTER KIT		1
37	532123487	SLANGKLÄMMA		1
41	532126197	BRICKA		1
42	810040700	BRICKA		1
45	873510400	MUTTER		1
69	532165291	PACKNING		1
83	532171877	BULT		1
85	532173937	BULT		1
86	532192334	SCREW		1
90	817000616	SCREW		1
92	817120616	SCREW		1
94	532405450	EXHAUST.TUBE.B&S.28/31*SUBS/2*		1
96	819091416	BRICKA		1
97	817670412	SCREW		1
105	532440681	SKÄRM		1
106	532440680	SKÄRM		1
108	532421794	ENGINE COVER		1
122	532421922	EXTENSION PIPE		1



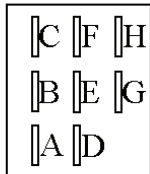
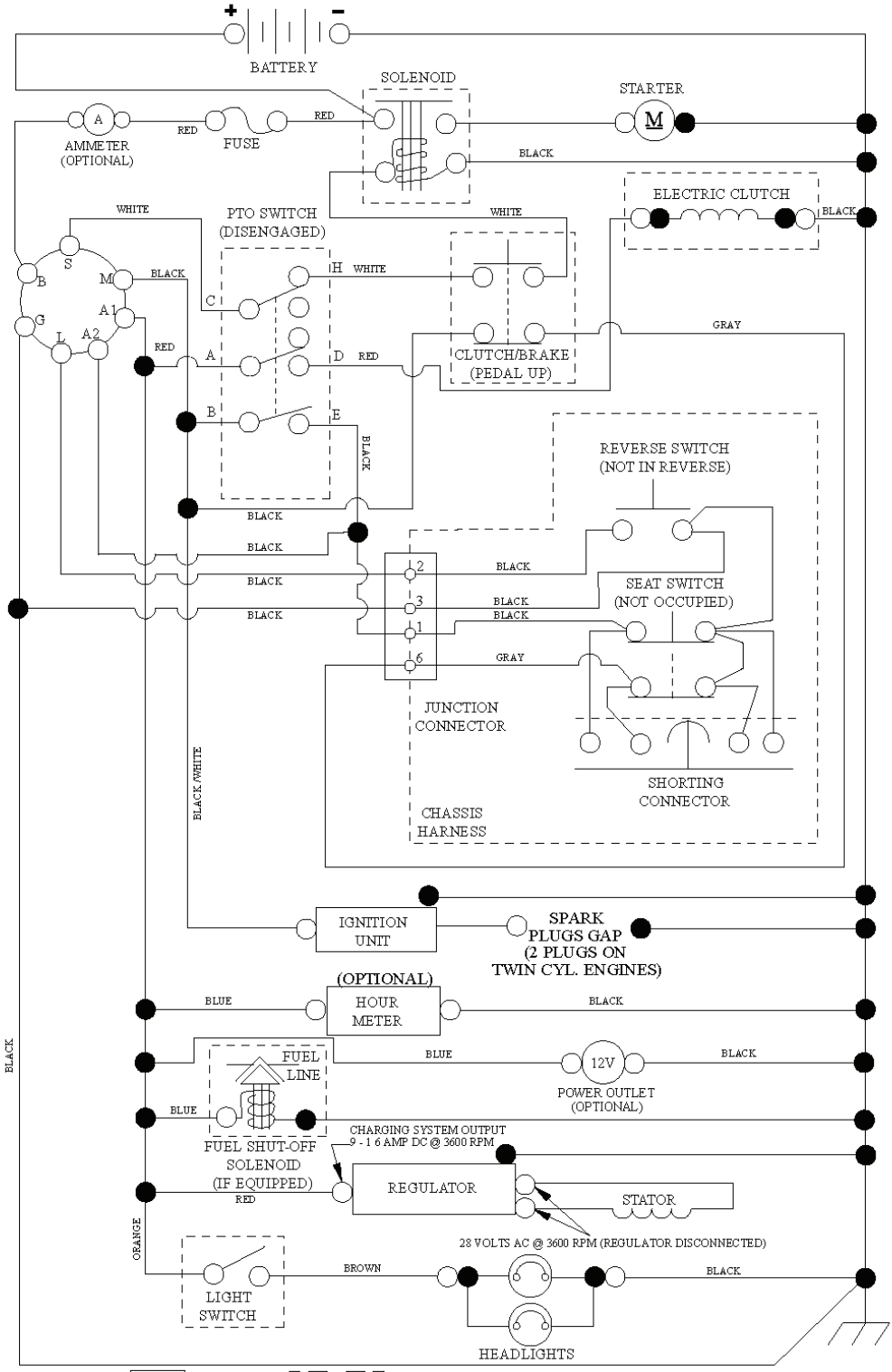
REF.	ART. NR	ARTIKELBESKRIVNING	ANMÄRKNING	KIT
1	532444163	HUS		1
6	532195186	ARM		1
8	532193003	SCREW		1
11	532193957	RIDE ON BLADE		1
13	532192872	AXEL KPL		1
14	532187281	LAGERHUS		1
15	532110485	LAGER		1
19	532196539	BULT		1
21	873680500	MUTTER		1
23	532192557	GÅNGJÄRN		1
24	532105304	NAVKAPSEL		1
25	532197026	VRIDEFJÄDER		1
26	532110452	MUTTER		1
27	532401618	DEFLEKTOR		1
29	532131491	AXEL		1
30	532173984	SCREW		1
31	532187690	BRICKA		1
32	532153532	REMSKIVA		1
33	532400234	MUTTER		1
34	872110612	BULT		1
35	532133835	XMAS TREE FASTNER		1
40	873900600	MUTTER		1
55	532197249	ARM		1
56	532199092	DISTANSBRICKA		1
57	817000616	SCREW		1
59	532141043	SKYDD		1
68	532447559	REM		1
69	872140505	BULT		1
115	872110505	BULT		1
144	532193414	REMSTYRARE		1
145	532193197	REMSKIVA		1
147	532197251	FJÄDER		1
188	532195161	STUD		1
189	873900500	MUTTER		1
199	532400095	SKYDD		1
205	817490416	SCREW		1
206	819091416	BRICKA		1
208	817670608	SCREW		1
209	819133210	BRICKA		1
241	532152927	SCREW		1
242	532415598	SLANGANSLUTNING		1
243	532432363	KÅPA		1
247	532432361	SKÄRM		1
248	532432360	SKÄRM		1
249	532406514	KÅPA		1
251	532436087	ELASTIC STRAP		1
--	532192870	SPINDEL		1
--	580287001	KLIPPAGGREGAT		1



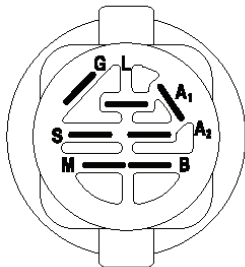
lift-tex_29

*Key 91 may be substituted for Key 101

REF.	ART. NR	ARTIKELBESKRIVNING	ANMÄRKNING	KIT
2	532422027	AXEL		1
3	532195231	HÅVARM		1
7	580962301	GREPP		1
10	532196314	FJÄDER		1
87	532194209	FJÄDER		1
88	532410710	FJÄDER		1
89	819191912	BRICKA		1
90	532194208	TAPP		1
91	532195181	LÄNK		1
97	817000612	SCREW		1
98	532195270	LÄNK		1
100	873930600	MUTTER		1
101	532407003	LÄNK		1

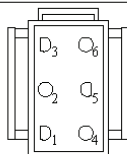


PTO SWITCH (MATING SIDE)

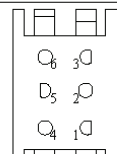


IGNITION SWITCH

POSITION	CIRCUIT	"MAKE"
OFF	M+G+A1	
RUN/OVERRIDE	B+A1	
RUN	B+A1	L+A2
START	B+S+A1	



CHASSIS HARNESS CONNECTOR (MATING SIDE)

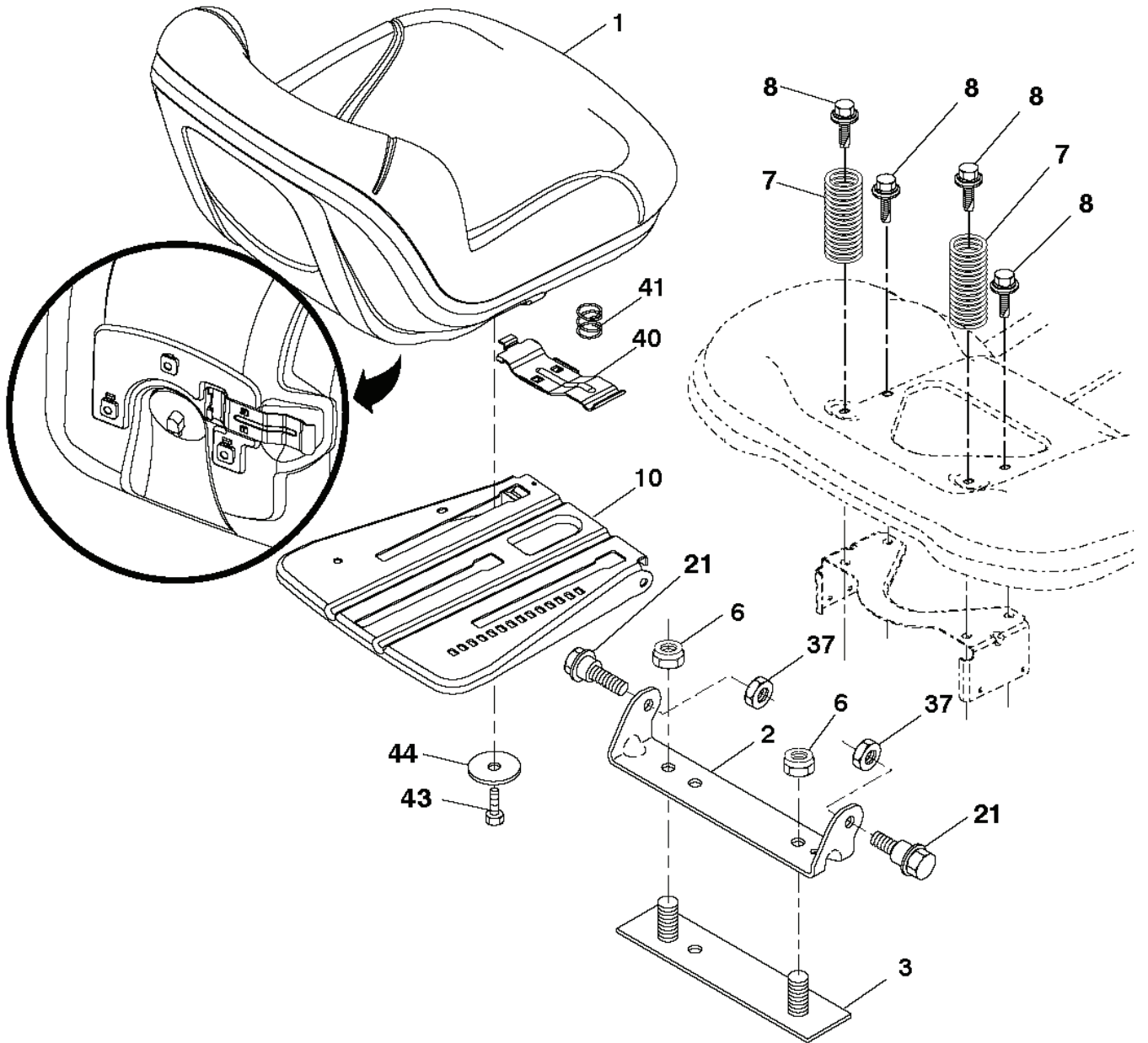


DASH HARNESS CONNECTOR

WIRING INSULATED CLIPS
NOTE: IF WIRING INSULATED CLIPS WERE REMOVED FOR SERVICING OF UNIT, THEY SHOULD BE RE-INSTALLED TO PROPERLY SECURE YOUR WIRING.

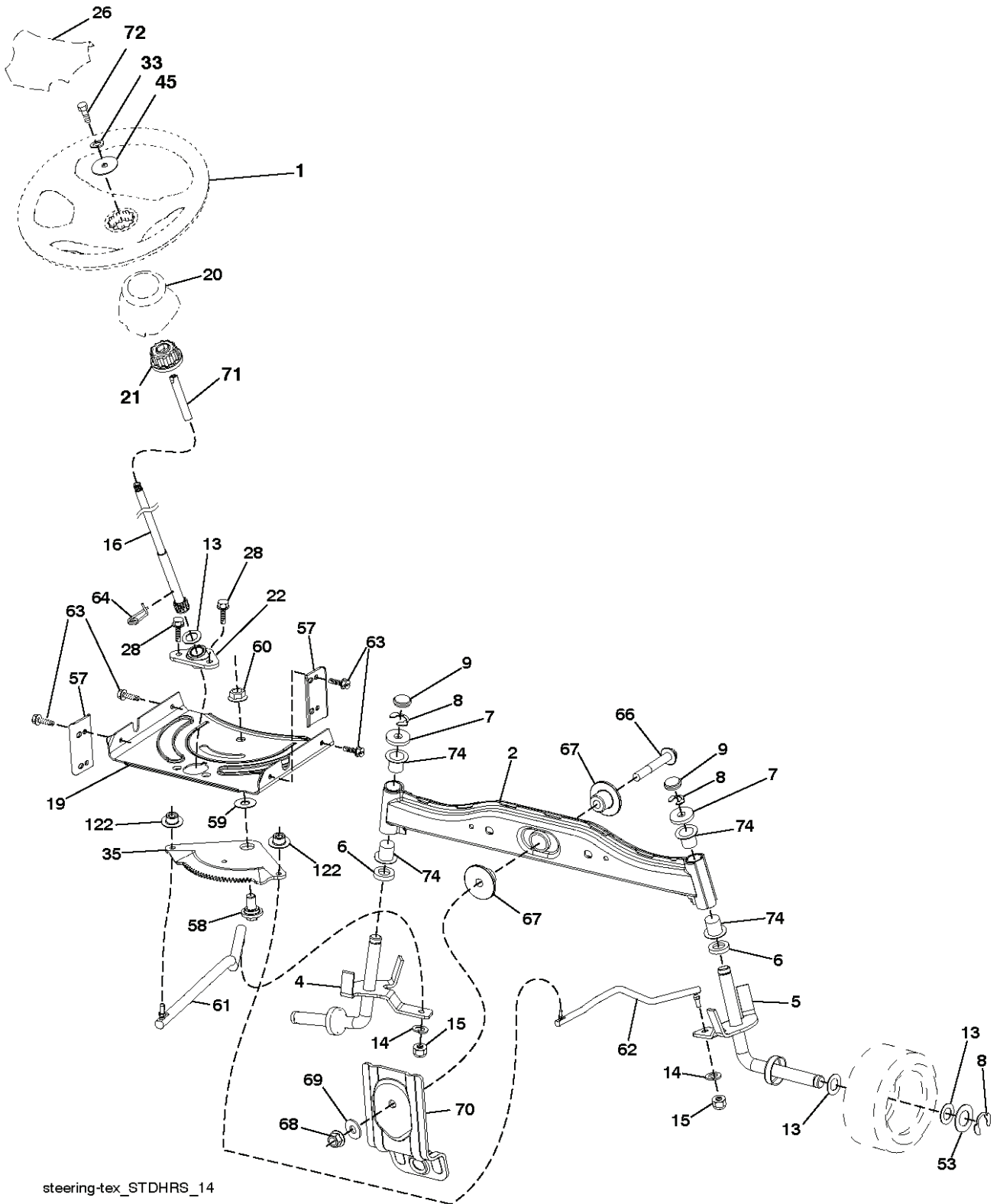
● NON-REMOVABLE CONNECTIONS

○ REMOVABLE CONNECTIONS



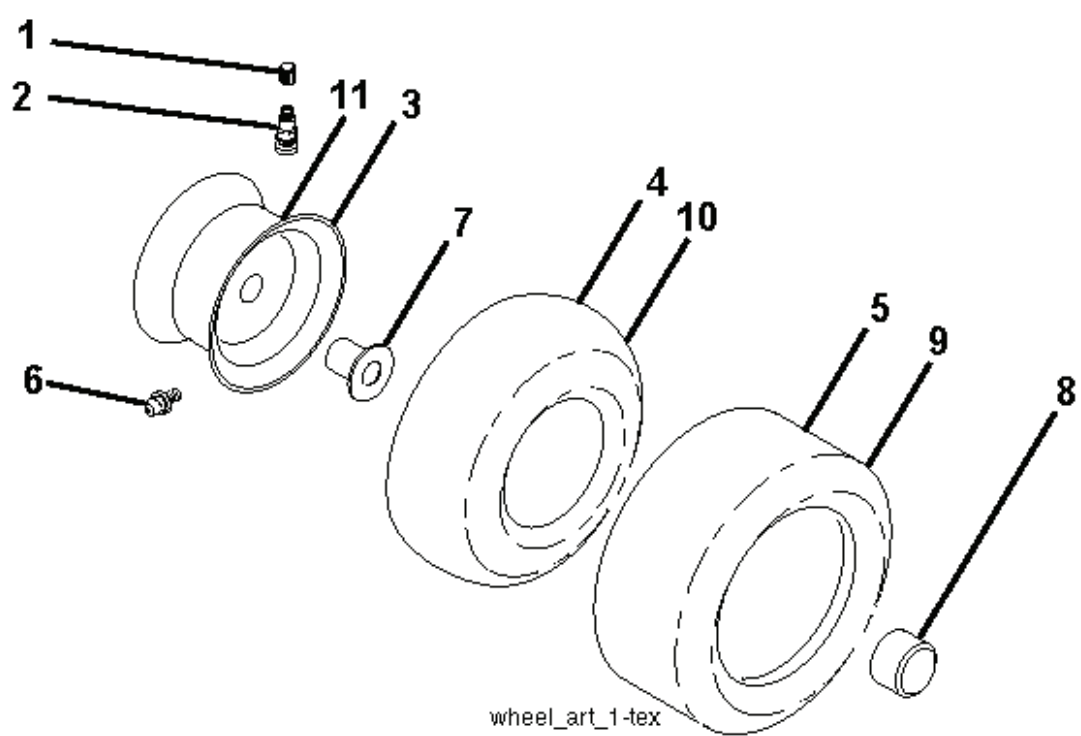
seat-tex_7A-vgt

REF.	ART. NR	ARTIKELBESKRIVNING	ANMÄRKNING	KIT
1	532439819	SÅTE		1
2	532180166	FÄSTE		1
3	532140675	SPÄNNBAND		1
6	873800600	MUTTER		1
7	532124181	FJÄDER		1
8	532171877	BULT		1
10	532196977	PLATTA		1
21	532171852	BULT		1
37	873800500	LOCK NUT		1
40	532197661	HANDTAG		1
41	532198200	FJÄDER		1
43	874760612	BULT		1
44	819133812	BRICKA		1



steering-tex_STDHRS_14

REF.	ART. NR	ARTIKELBESKRIVNING	ANMÄRKNING	KIT
1	532439740	RATT		1
2	532418168	AXEL		1
4	532403087	SPINDEL		1
5	532403088	SPINDEL		1
6	532124931	BRICKA		1
7	532121748	BRICKA		1
8	812000029	FLÄNSRING		1
9	532121232	NAVKAPSEL		1
13	532121749	BRICKA		1
14	810040600	BRICKA		1
15	873540600	MUTTER		1
16	532429373	AXEL		1
19	532194729	PLATTA		1
20	532441425	KÅPA		1
21	532186737	ADAPTER		1
22	532420537	STÖD		1
26	532439743	NAVKAPSEL		1
28	817000612	SCREW		1
33	810040500	BRICKA		1
35	532194732	PLATTA		1
45	819113812	BRICKA		1
53	532188967	BRICKA		1
57	532407465	FÄSTE		1
58	532194747	BULT		1
59	532194748	BRICKA		1
60	873971000	MUTTER		1
61	532194740	LÄNK		1
62	532194741	LÄNK		1
63	817000512	SCREW		1
64	532199849	FJÄDERFÄSTE		1
66	871020748	BULT		1
67	532194737	BUSHING		1
68	873900700	MUTTER		1
69	532199162	BRICKA		1
70	532196197	FÄSTE		1
71	532190752	AXEL		1
72	532428982	BULT		1
74	532124937	BEARING COL. STRG.		1
122	532444962	HATT		1



wheel_art_1-tex

REF.	ART. NR	ARTIKELBESKRIVNING	ANMÄRKNING	KIT
1	532059192	CAP VALVE		1
2	532065139	NIPPEL		1
3	532138336	FÄLG	Front 6"	1
4	532059904	SLANG	Front (Service Item Only)	1
5	532106222	DÄCK	Front 15 x 6.0-6	1
6	532124957	FITTING	(Front Wheel Only)	1
7	532124959	LAGER	(Front Wheel Only)	1
8	532175039	NAVKAPSEL		1
9	532420531	DÄCK	Rear 18 x 9.5-8	1
10	532124926	SLANG	Rear (Service Item Only)	1
11	532138337	RINGDREV	Rear 8"	1
--	532144334	SEALING FOAM		1
	ART. NR		ANMÄRKNING	KIT