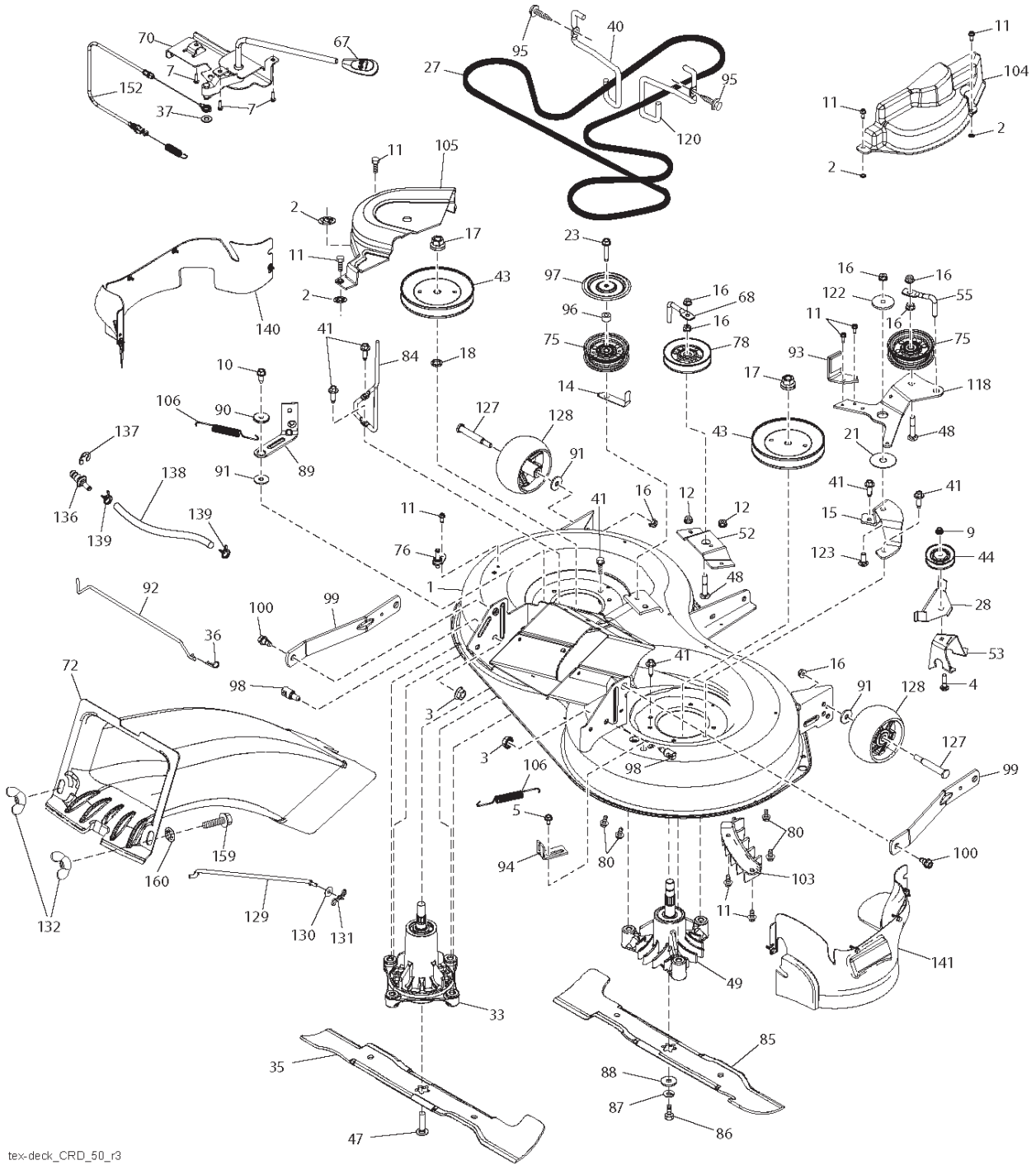


RESERVDELSKATALOG
: HUSQVARNA TC 138

Reservdelslista

RESERVDELSLISTA

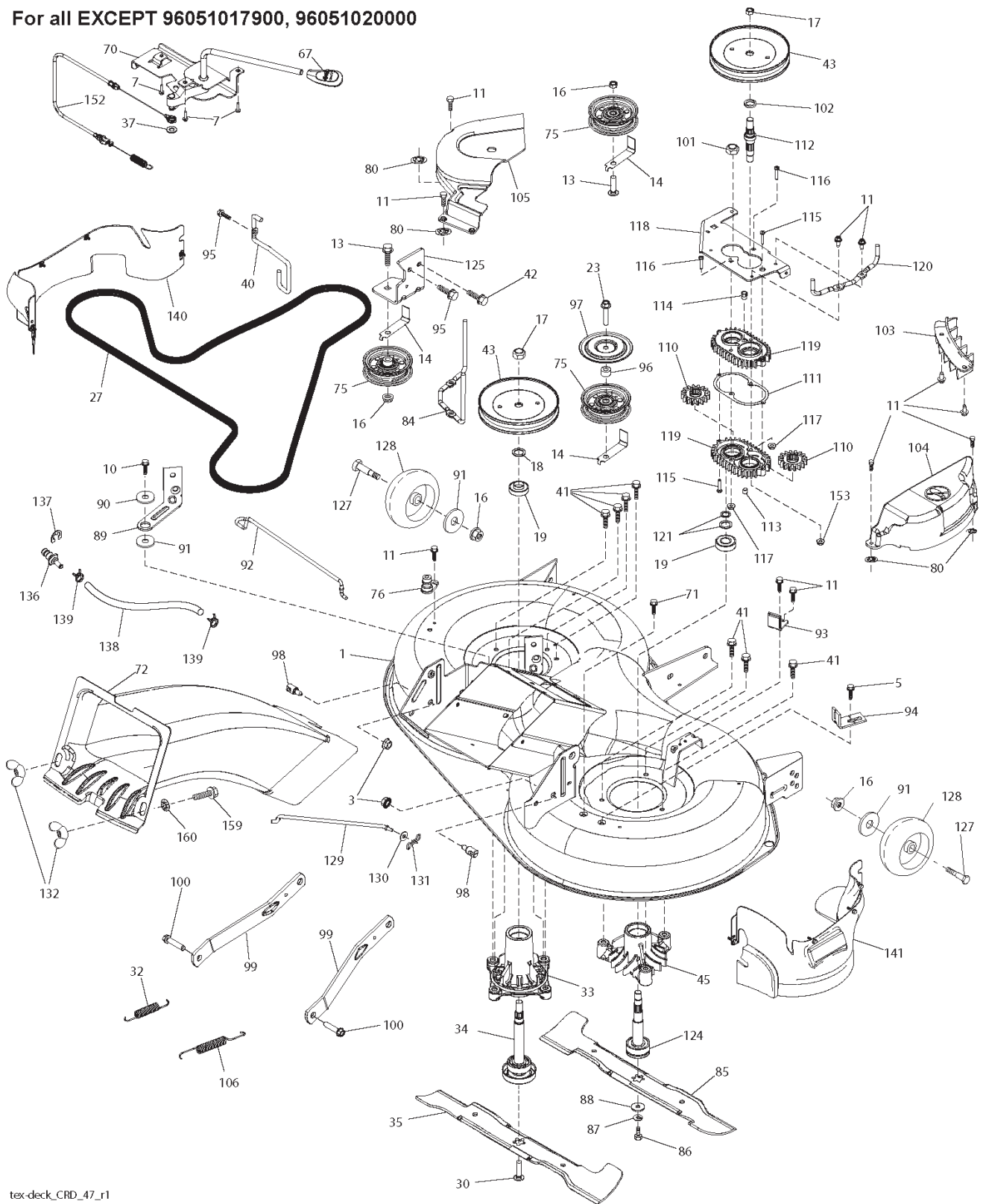
For 96051017900, 96051020000



REF.	ART. NR	ARTIKELBESKRIVNING	ANMÄRKNING	KIT
1	592970001	SERVICE KIT		1
1	596551301	KLIPPAGGREGAT	Complete deck assy	1
2	532423062	MUTTER		1
3	596135701	LOCK NUT		1
4	872110510	BULT		1
5	817000510	BULT		1
7	596321701	SCREW		1
9	594944401	MUTTER		1
10	817000616	SCREW		1
11	532137729	SCREW		1
12	594944401	MUTTER		1
14	532156085	REMSTYRARE		1
15	592854702	FÄSTE		1
16	873900600	MUTTER		1
17	596134801	MUTTER (HEXAGON)		1
18	532187690	BRICKA		1
21	532178515	BRICKA		1
23	596564003	BULT		1
27	597122201	REM	For all except 96051020000	1
27	599365301	REM	For 96051020000	1
28	592855602	STYRNING		1
33	587819701	DORN		1
35	532427984	RIDE ON BLADE		1
36	532004497	KLÄMMA		1
37	596565301	BRICKA		1
40	532197258	REMSTYRARE		1
41	584953901	BULT		1
43	532197473	REMSKIVA		1
44	532199534	REMSKIVA		1
47	584309301	SCREW		1
48	596136301	BULT		1
49	529910001	SERVICE KIT		1
52	599210703	FÄSTE		1
53	595098103	FASTE		1
55	598969201	STYRNING		1
67	532403012	HANDTAG		1
68	598903802	STYRNING		1
70	532401246	KOPPLING		1
72	582035601	UTKASTARRÖR		1
75	597025001	REMSKIVA		1
76	532439640	PORT		1
78	532173902	REMSKIVA		1
80	595901601	BULT		1
84	589676102	STYRNING		1
85	532427985	KNIV		1
86	532181713	BULT		1
87	596238701	BRICKA		1
88	532140296	BRICKA		1
89	532438124	ARM		1
90	532199092	DISTANSBRICKA		1
91	596134901	BRICKA		1
92	592855701	LÄNK		1
93	592854902	BROMS		1
94	532197250	FÄSTE		1
95	817000612	SCREW		1
96	532400271	DISTANSBRICKA		1
97	532182061	PROTECTOR		1
98	593824001	STUD		1
99	532195186	ARM		1
100	532196539	BULT		1
103	532436992	SKYDD		1
104	592848101	SKYDD		1
105	532438744	DORN		1
106	532193216	FJÄDER		1
118	599236302	ARM		1
120	532197259	REMSTYRARE		1
122	532165723	DISTANSBRICKA		1
123	596987501	BULT		1
127	596434404	BULT		1
128	589527301	HJUL		1
129	532404851	STÅNG		1
130	596133201	BRICKA		1
131	532194208	TAPP		1
132	532178899	KNOPP		1
136	532439639	PLUGG		1
137	812000029	FLÄNSRING		1
138	532440743	SLANG		1

REF.	ART. NR	ARTIKELBESKRIVNING	ANMÄRKNING	KIT
139	596867401	ÖVERFALL		1
140	501579401	SKYDD		1
140	598660801	SKYDD	For 96051020000	1
141	501579301	SKYDD		1
141	598660701	SKYDD	For 96051020000	1
152	532440488	KABEL		1
159	872140614	BULT		1
160	532168937	BRICKA		1

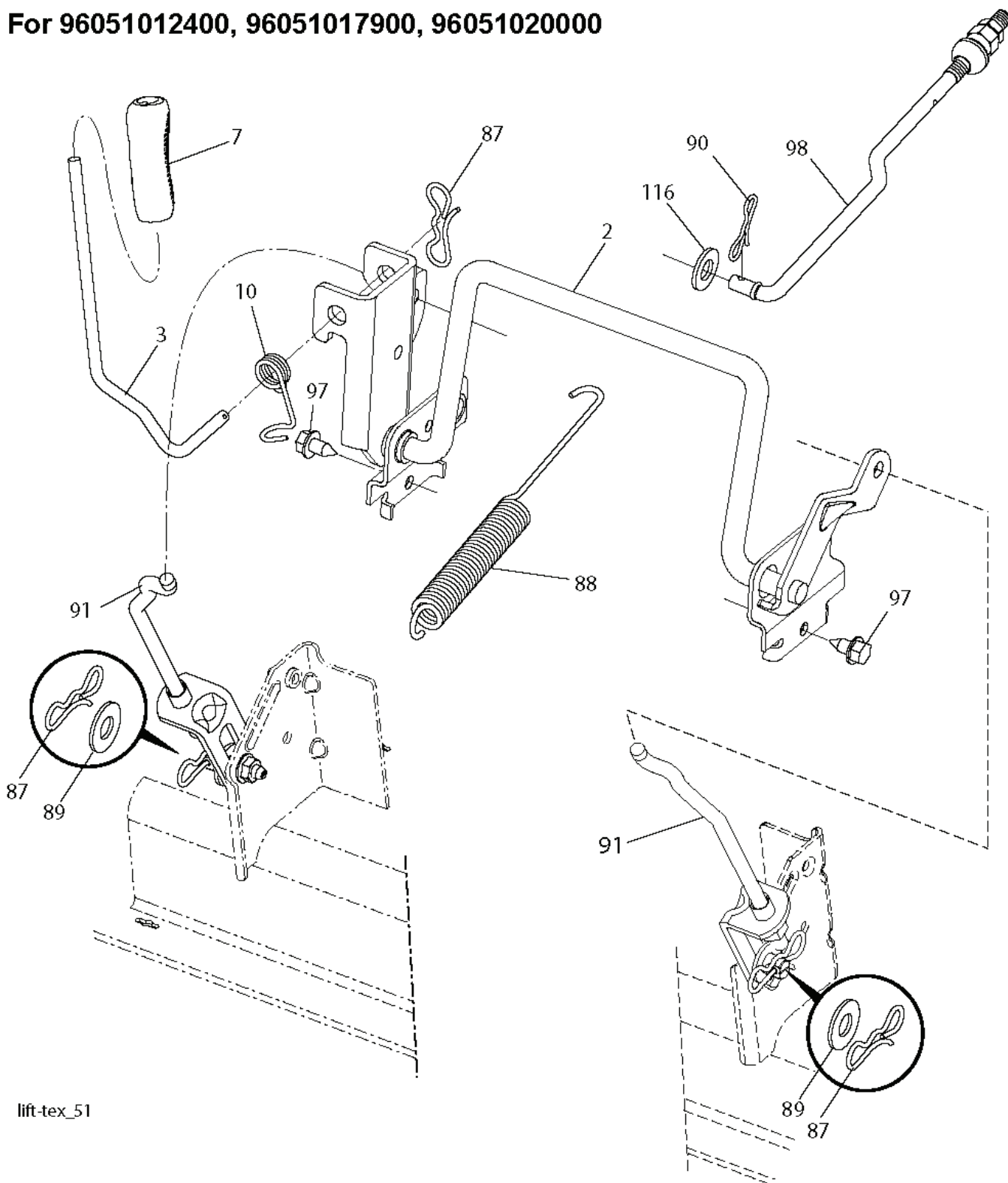
For all EXCEPT 96051017900, 96051020000



REF.	ART. NR	ARTIKELBESKRIVNING	ANMÄRKNING	KIT
1	532440971	DECK		1
1	587492001	SERVICEVERKTYG		1
3	873900500	MUTTER		1
5	817000510	BULT		1
7	532416358	SCREW		1
10	817000616	SCREW		1
11	532137729	SCREW		1
13	872110612	BULT		1
14	532156085	REMSTYRARE		1
16	873900600	MUTTER		1
17	532400234	MUTTER		1
18	532187690	BRICKA	For 96051012403. 96051012404	1
19	585323901	LAGER	For 96051012403. 96051012404	1
19	532110485	LAGER	For 96051012400. 96051012401. 96051012402	1
23	817490628	SCREW		1
27	532439726	REM		1
30	584309301	SCREW	For 96051012400. 96051012403. 96051012404	1
30	532193003	SCREW	For 96051012401. 96051012402	1
32	532401872	FJÄDER		1
33	532187281	LAGERHUS		1
34	532192872	AXEL KPL	For 96051012400. 96051012401. 96051012402	1
34	587256501	AXEL	For 96051012403. 96051012404	1
35	532427984	RIDE ON BLADE		1
37	819131316	BRICKA		1
40	532197258	REMSTYRARE		1
41	584953901	BULT		1
42	817000512	SCREW		1
43	532197473	REMSKIVA		1
45	532137152	LAGERHUS		1
67	532403012	HANDTAG		1
70	532401246	KOPPLING		1
71	817670608	SCREW		1
72	582035601	UTKASTARRÖR		1
75	532131494	REMSKIVA		1
76	532439640	PORT		1
80	532423062	MUTTER		1
84	532432520	STYRNING		1
85	532427985	KNIV		1
86	532181713	BULT		1
87	539990118	BRICKA		1
88	532140296	BRICKA		1
89	532438124	ARM		1
90	532199092	DISTANSBRICKA		1
91	819132012	BRICKA		1
92	532436993	STÅNG		1
93	532438125	ARM		1
94	532197250	FÄSTE		1
95	817000612	SCREW		1
96	532400271	DISTANSBRICKA		1
97	532182061	PROTECTOR		1
98	532195161	STUD		1
99	532195186	ARM		1
100	532196539	BULT		1
101	873680900	MUTTER	For all EXCEPT 96051012404	1
102	532402511	DISTANSBRICKA		1
103	532436992	SKYDD		1
104	532438968	DORN		1
105	532438744	DORN		1
106	532193216	FJÄDER		1
110	587934801	VÄXEL		1
111	532436979	PACKNING		1
112	532443852	AXEL		1
113	532438533	PLUGG		1
114	588170501	LUFTNING		1
115	818031016	SCREW		1
116	872110414	BULT		1
117	873900400	MUTTER		1
118	532436989	ARM		1
119	532438166	GEARCASE		1

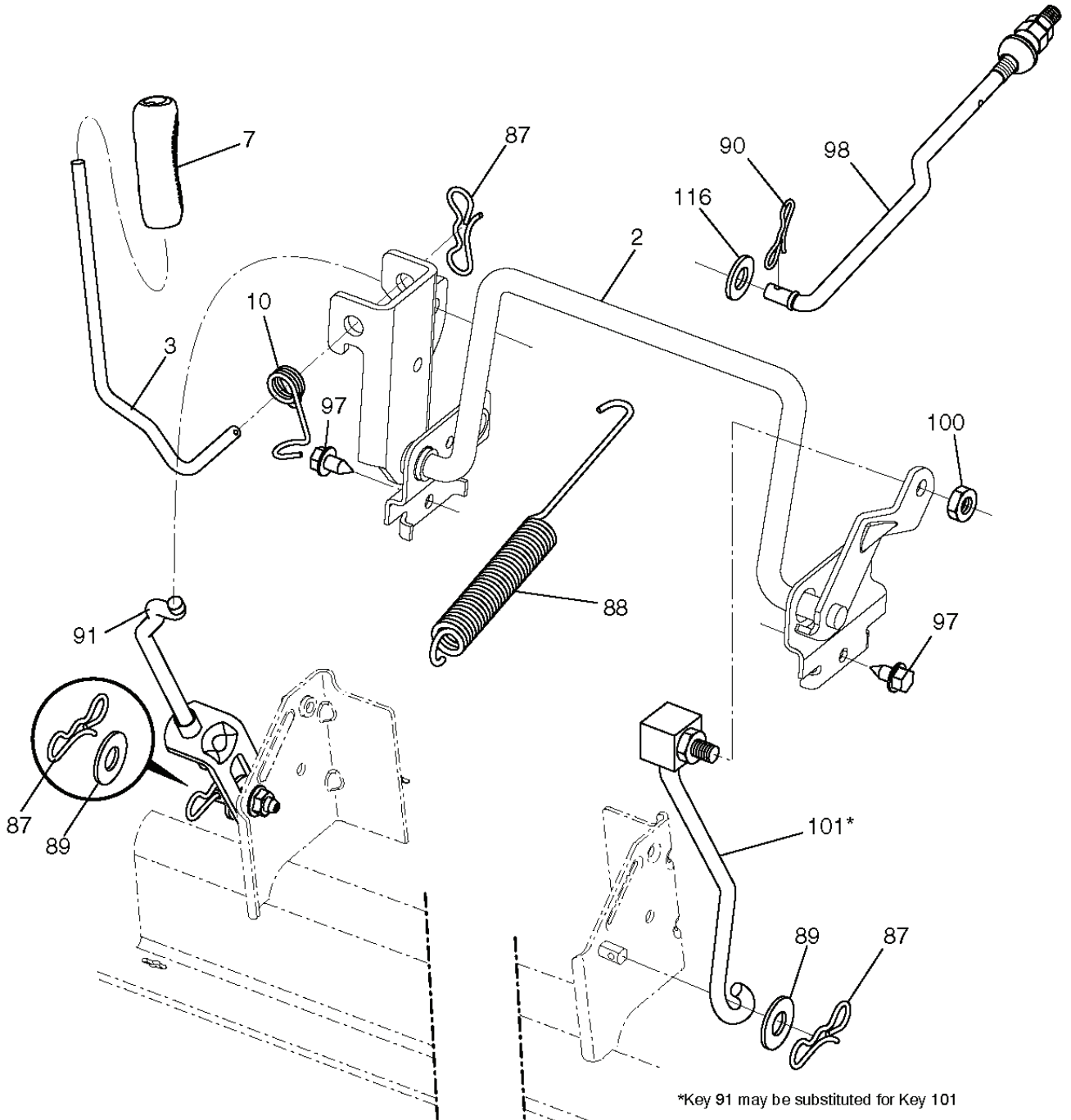
REF.	ART. NR	ARTIKELBESKRIVNING	ANMÄRKNING	KIT
120	532436991	FÄSTE		1
121	532436985	BRICKA		1
124	532436986	AXEL		1
125	532440420	FÄSTE		1
127	532193406	BULT		1
128	589527301	HJUL		1
129	532404851	STÅNG		1
130	819131312	BRICKA		1
131	532194208	TAPP		1
132	532178899	KNOPP		1
136	532439639	PLUGG		1
137	812000029	FLÄNSRING		1
138	532440743	SLANG		1
139	587253301	DORN	For 96051012400, 96051012403, 96051012404. MANDREL ASSEMBLY (Includes assembly (key# 33), shaft assembly (key# 34) and bearing (key# 19) only - pulley/nut/washer and blade bolt/washers not included.	1
139	532440742	ÖVERFALL		1
140	532448132	VÄXELLÅDA SATS	Gear Case Kit. Use .75 oz. Shell 460 Oil. (Include Gear Output (key #110), Gasket Gearcase (key #111), Shaft Gearcase (key #112), Plug Oil (key #113), Vent Breather 1/8 NPT (key #114), Screw Torx (key #115), Gearcase Subasm (key #119).	1
140	501579401	SKYDD		1
141	532192870	SPINDEL	For 96051012401, 96051012402. MANDREL ASSEMBLY (Includes assembly (key#33), shaft assembly (key#34) and bearing (key# 19) only - pulley/nut/washer and blade bolt/washers not included.	1
141	501579301	SKYDD		1
152	532440488	KABEL		1
153	873680900	MUTTER	For all EXCEPT 96051012404	1
153	593274601	MUTTER	For 96051012404	1
159	872140614	BULT		1
160	532168937	BRICKA		1

For 96051012400, 96051017900, 96051020000

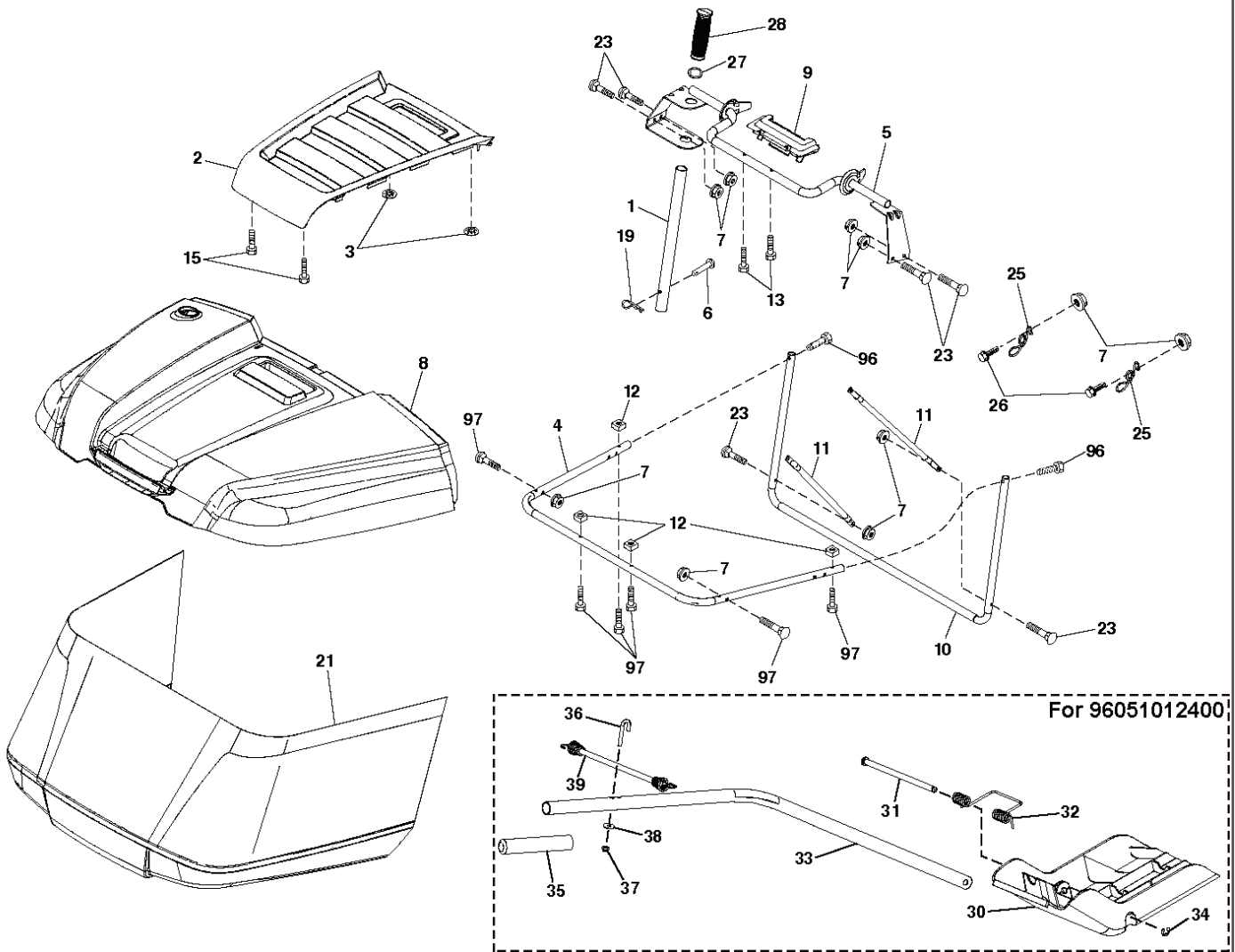


REF.	ART. NR	ARTIKELBESKRIVNING	ANMÄRKNING	KIT
2	532436996	AXEL		1
3	594018001	HÄVARM		1
7	580962301	GREPP		1
10	532196314	FJÄDER		1
87	532194209	FJÄDER		1
88	532445496	FJÄDER		1
89	819191912	BRICKA		1
90	532194208	TAPP		1
91	532195181	LÄNK	For 96051012400	1
91	589464804	LÄNK KPL	For 96051017900, 96051020000	1
97	596564001	BULT	For 96051017900, 96051020000	1
97	817490608	SCREW	For 96051012400	1
98	581506903	LÄNK KPL	For 96051012400	1
98	581506906	LÄNK KPL	For 96051017900, 96051020000	1
116	594976501	BRICKA		1

For 96051012401, 96051012402, 96051012403, 96051012404

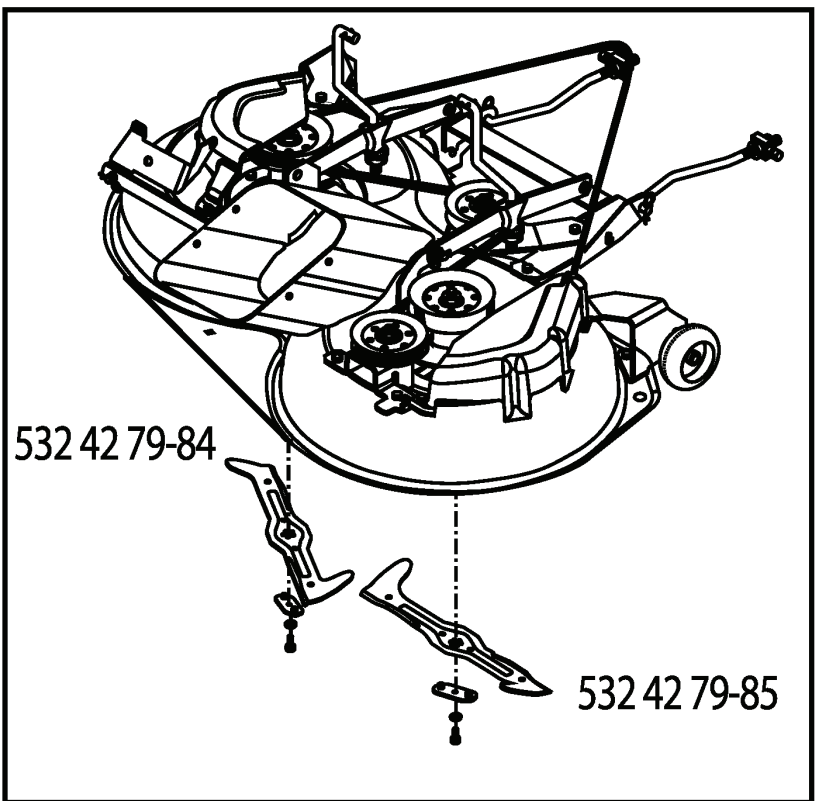
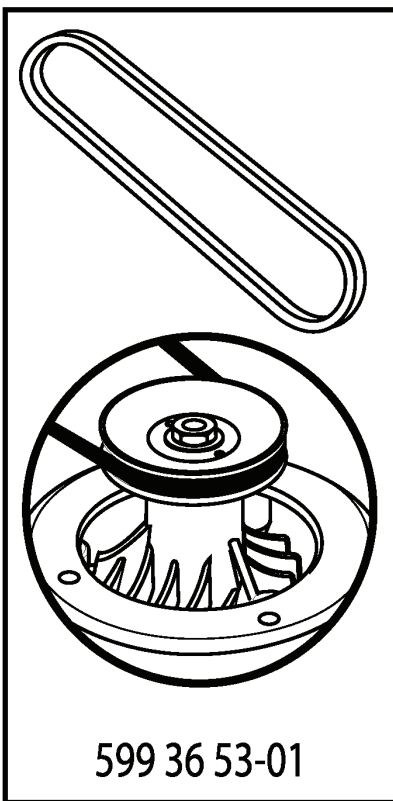
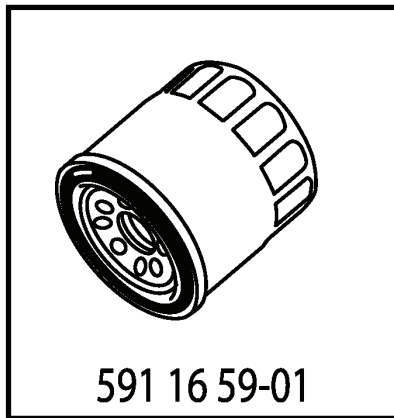
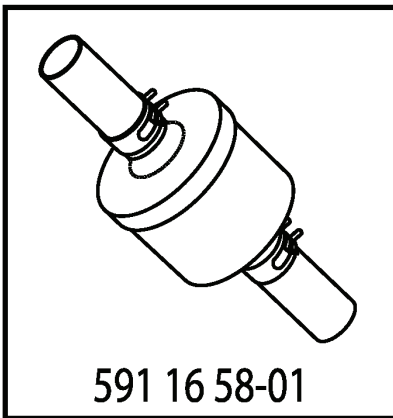
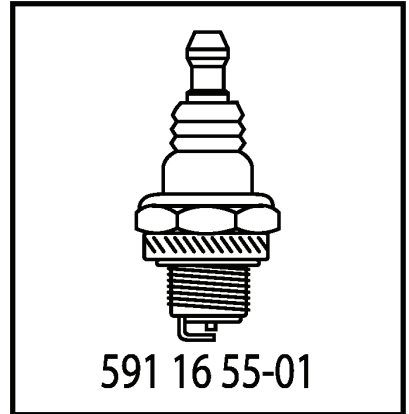
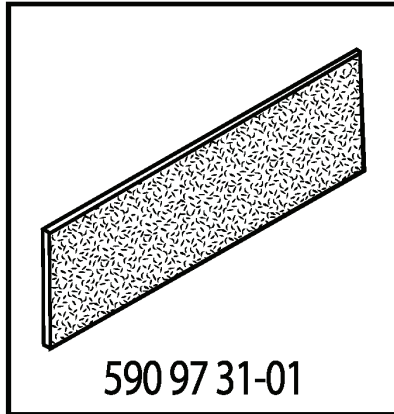
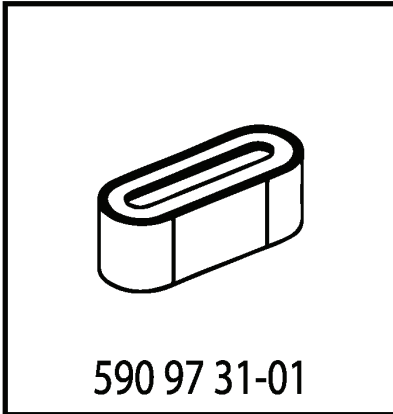


REF.	ART. NR	ARTIKELBESKRIVNING	ANMÄRKNING	KIT
2	532436996	AXEL		1
3	532195231	HÅVARM		1
7	580962301	GREPP		1
10	532196314	FJÄDER		1
87	532194209	FJÄDER		1
88	532445496	FJÄDER		1
89	819191912	BRICKA		1
90	532194208	TAPP		1
91	532195181	LÄNK		1
97	817490608	SCREW		1
98	532195270	LÄNK		1
100	873930600	MUTTER		1
101	532407003	LÄNK		1
116	819151516	BRICKA		1



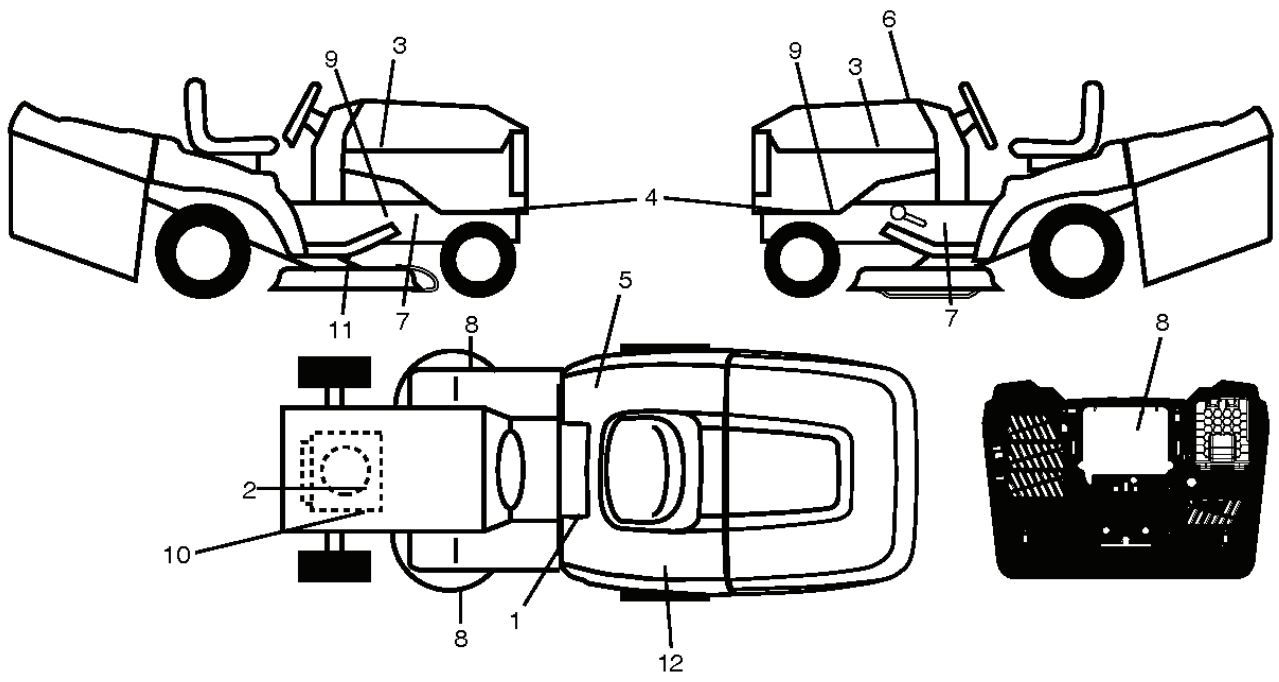
REF.	ART. NR	ARTIKELBESKRIVNING	ANMÄRKNING	KIT
1	532428610	RÖR		1
2	532441358	LOCK		1
3	532413808	MUTTER		1
4	579785401	HANDTAG KPL		1
5	532417632	RAM		1
6	532126875	NIT		1
7	873900400	MUTTER		1
8	532441261	KÅPA		1
9	532417629	INSATS		1
10	532436770	RAM		1
11	532436771	BRACE		1
12	532421793	NUT SQUARE		1
13	532421780	SCREW		1
15	532421801	SCREW		1
19	532194208	TAPP		1
21	532448306	VÅSKA		1
23	872040410	BULT		1
25	532421614	FJÄDER		1
26	817490412	SCREW		1
27	532421262	GENOMFÖRING		1
28	532165787	HANDTAG		1
30	532437452	PLUGG		1
31	532435861	PENNOR		1
32	532437454	FJÄDER		1
33	532438451	AXEL		1
34	532437988	RING		1
35	532439139	GREPP		1
36	532439098	BULT		1
37	532069180	MUTTER		1
38	819070818	BRICKA		1
39	532439242	BUBGEE		1
96	501406601	SCREW	For 96051012400, 96051012401, 96051012402	1
97	501406601	SCREW		1
97	590105701	SCREW	For 96051012403, 96051012404, 96051017900, 96051020000	1

For 96051020000

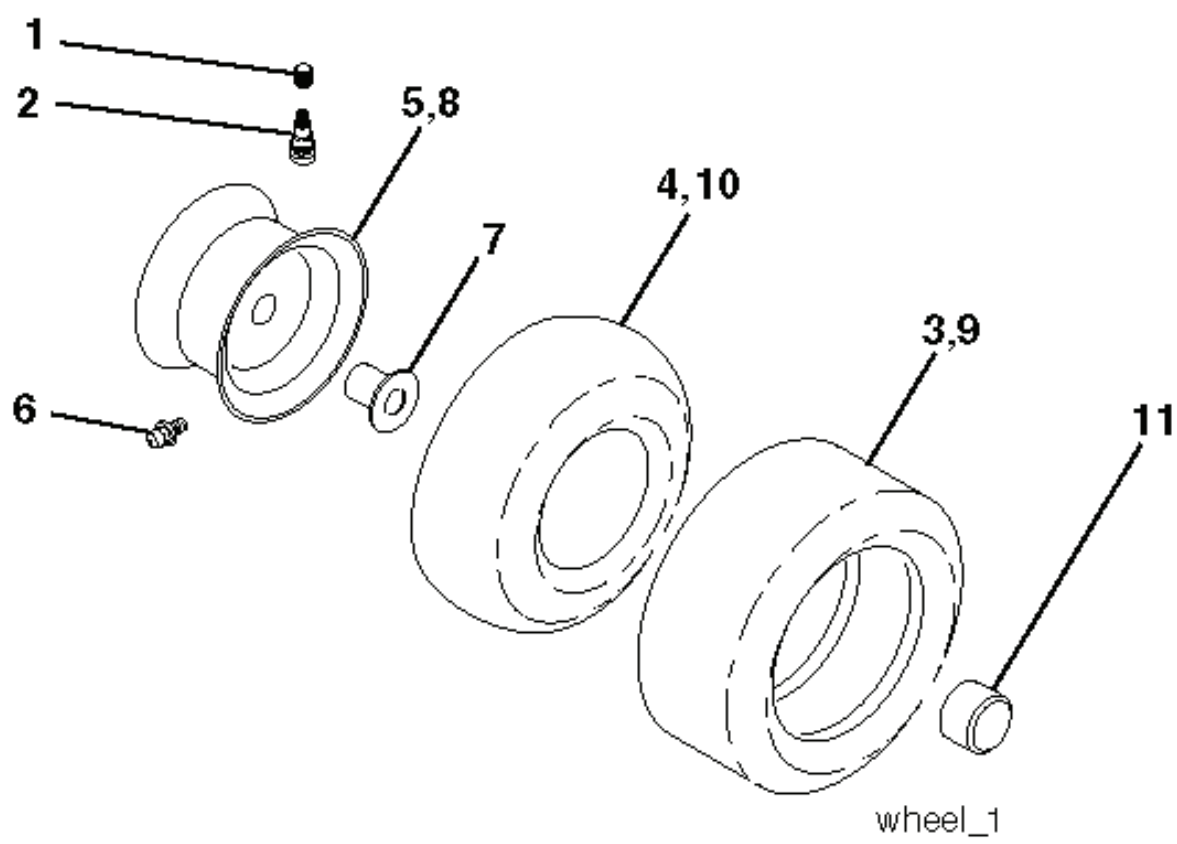


598681401

REF.	ART. NR	ARTIKELBESKRIVNING	ANMÄRKNING	KIT
1	531029975	TÄNDSTIFT		1
2	582285050	LUFTFILTER		1
3	582288363	BRÄNSLEFILTER		1
4	532441836	KILREM		1
5	585730401	OIL FILTER		1
6	532427984	RIDE ON BLADE		1
7	532427985	KNIV		1
8	597122201	REM		1



REF.	ART. NR	ARTIKELBESKRIVNING	ANMÄRKNING	KIT
1	581578301	DEKAL		1
1	581578302	DEKAL	For 96051020000	1
2	581579701	DEKAL		1
3	581627301	DEKAL	For all EXCEPT 96051017900. 96051020000	1
3	501131401	DEKAL	For 96051017900. 96051020000	1
4	587407101	DEKAL		1
5	586066201	DEKAL		1
6	596555001	DEKAL	For 96051017900	1
6	598681401	DEKAL	For 96051020000	1
7	581579801	DEKAL		1
8	581579101	DEKAL		1
9	581579601	DEKAL		1
9	581579602	DEKAL		1
10	587731201	DEKAL		1
11	532441189	DEKAL	For all EXCEPT 96051017900. 96051020000	1
11	592980201	DEKAL	For 96051017900. 96051020000	1
12	581724101	DEKAL	For 96051012400	1
12	588049701	DEKAL	For 96051012401. 96051012402. 96051020000	1
45	532442744	DEKAL	For 96051012400. 96051012401. 96051012402. 96051017900. 96051020000	1
46	532441410	DYNA		1
47	532441409	DYNA		1



REF.	ART. NR	ARTIKELBESKRIVNING	ANMÄRKNING	KIT
1	532059192	HATT		1
2	532065139	NIPPEL		1
3	532106222	DÄCK	FRONT (15 X 6-6)	1
4	532059904	SLANG	(Service Item Only)	1
5	532138336	FÄLG	Front 6"	1
6	532000278	NIPPEL	(Front Wheel Only)	1
7	532009040	LAGER	(Front Wheel Only)	1
8	532138337	RINGDREV	Rear 8"	1
9	532124635	DÄCK	For all EXCEPT 96051012400, 96051012401, 96051012402. REAR (18 X 8.5-8)	1
9	532420531	DÄCK	For 96051012400, 96051012401, 96051012402. REAR (18 X 8.5-8)	1
10	532007152	RÖR	(Service Item Only)	1
11	532175039	NAVKAPSEL		1
13	532144334	SEALING FOAM		1

TC03S

Service Minder (If Equipped)

Charge Indicator (If Equipped)

46

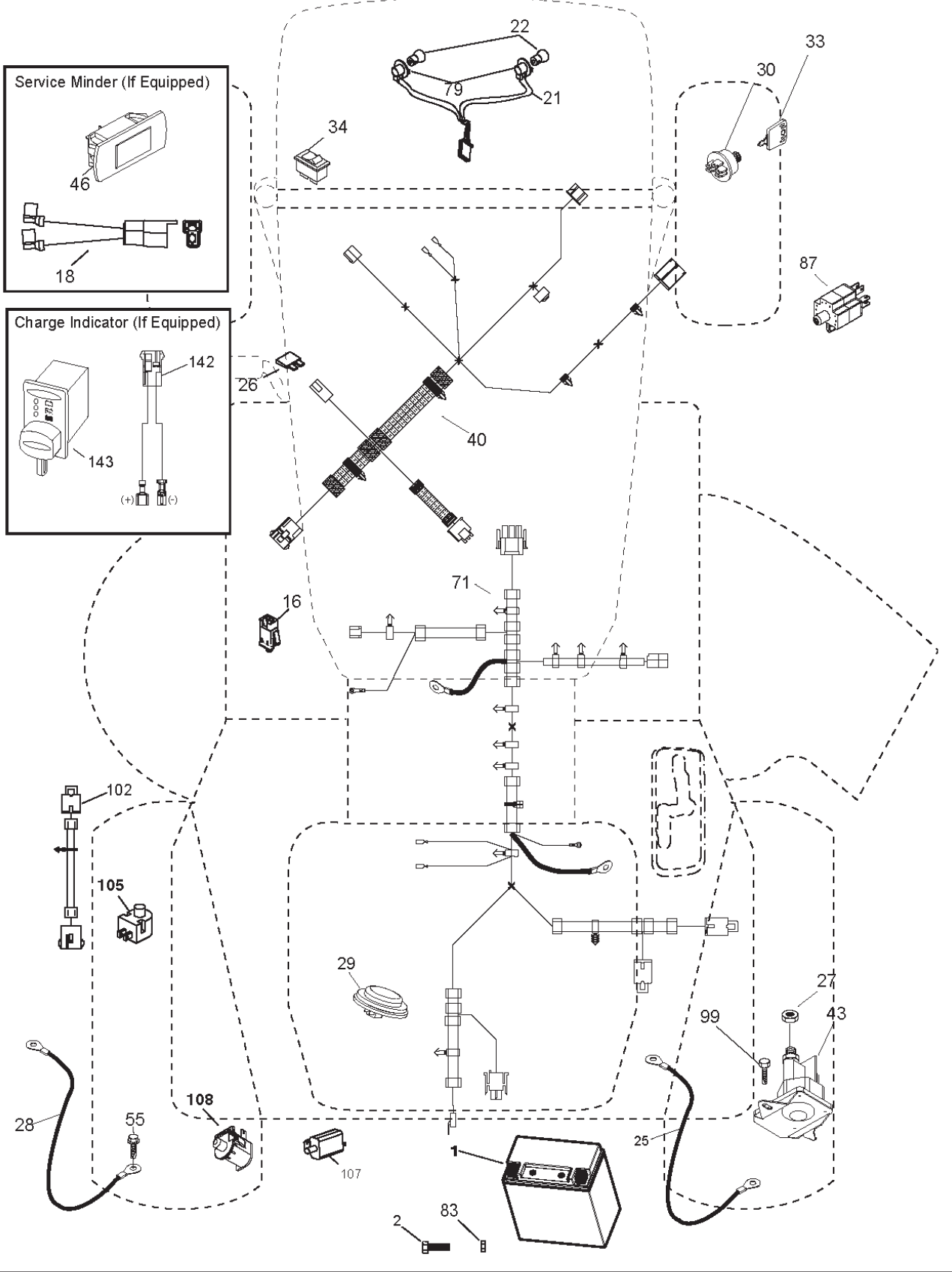
18

142

143

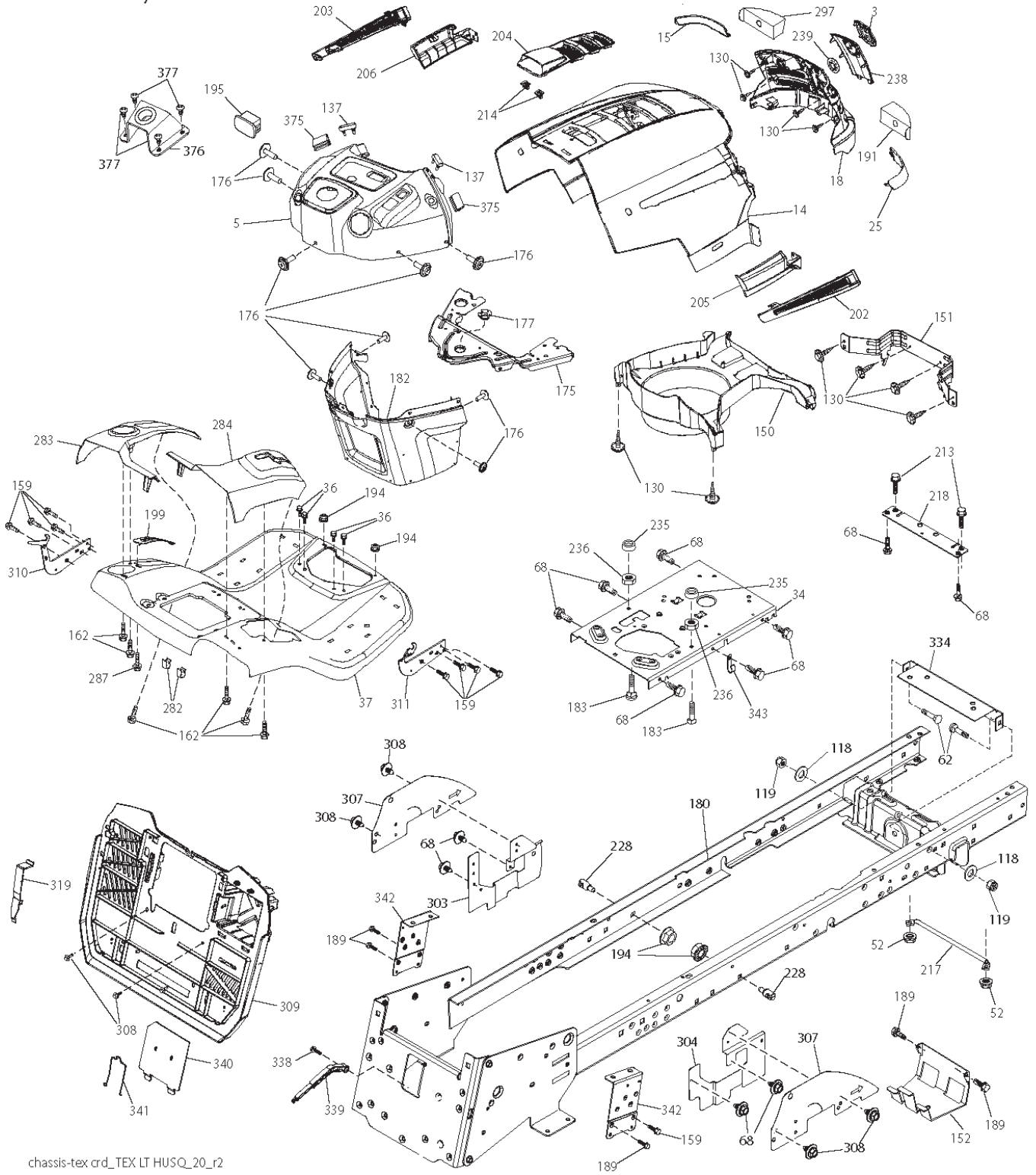
(+)

(-)



REF.	ART. NR	ARTIKELBESKRIVNING	ANMÄRKNING	KIT
1	532437157	BATTERI		1
2	596320101	BULT		1
16	532176138	MIKROBRYTARE		1
21	532400252	SELE		1
22	532004152	GLÖDLAMPA		1
25	581489801	KABEL		1
26	532175158	SÄKRING		1
27	873510400	MUTTER	For all EXCEPT 96051017900, 96051020000	1
27	596133601	LOCK NUT	For 96051017900, 96051020000	1
28	581489802	KABEL		1
29	532401545	BRYTARE		1
30	532193350	TÄNDMODUL		1
33	532411935	TANGENT		1
34	532110712	BRYTARE		1
40	585849901	SELE		1
40	532421002	SELE	For 96051020000	1
43	582042802	SOLENOID		1
46	594919101	TIMMÄTARE	For 96051017900, 96051020000	1
55	817060512	SCREW		1
71	532440820	SELE	For 96051020000	1
71	587268701	SELE		1
79	532175242	HÅLLARE		1
83	594086501	MUTTER		1
87	532421060	BRYTARE		1
99	817670412	SCREW	For 96051012403	1
99	817000512	SCREW	For all EXCEPT 96051012403	1
102	532441262	SELE KPL		1
105	532407568	BRYTARE		1
107	532180379	SWITCH FBI		1
108	532421062	BRYTARE		1
142	583857801	SELE		1
143	532448059	SELE	For all EXCEPT 96051017900, 96051020000	1

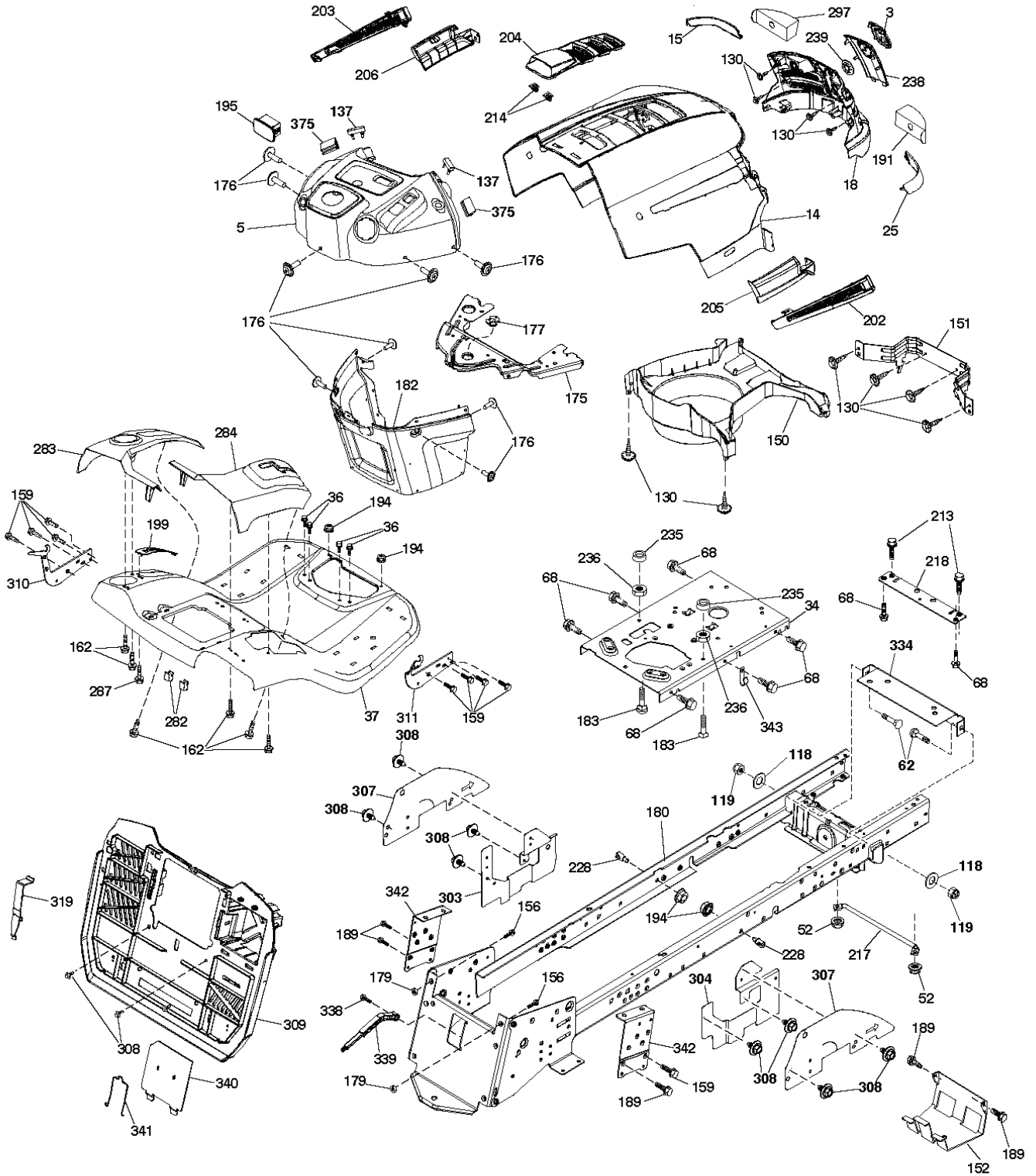
For 96051012402, 96051012403, 96051012404,
96051017900, 96051020000



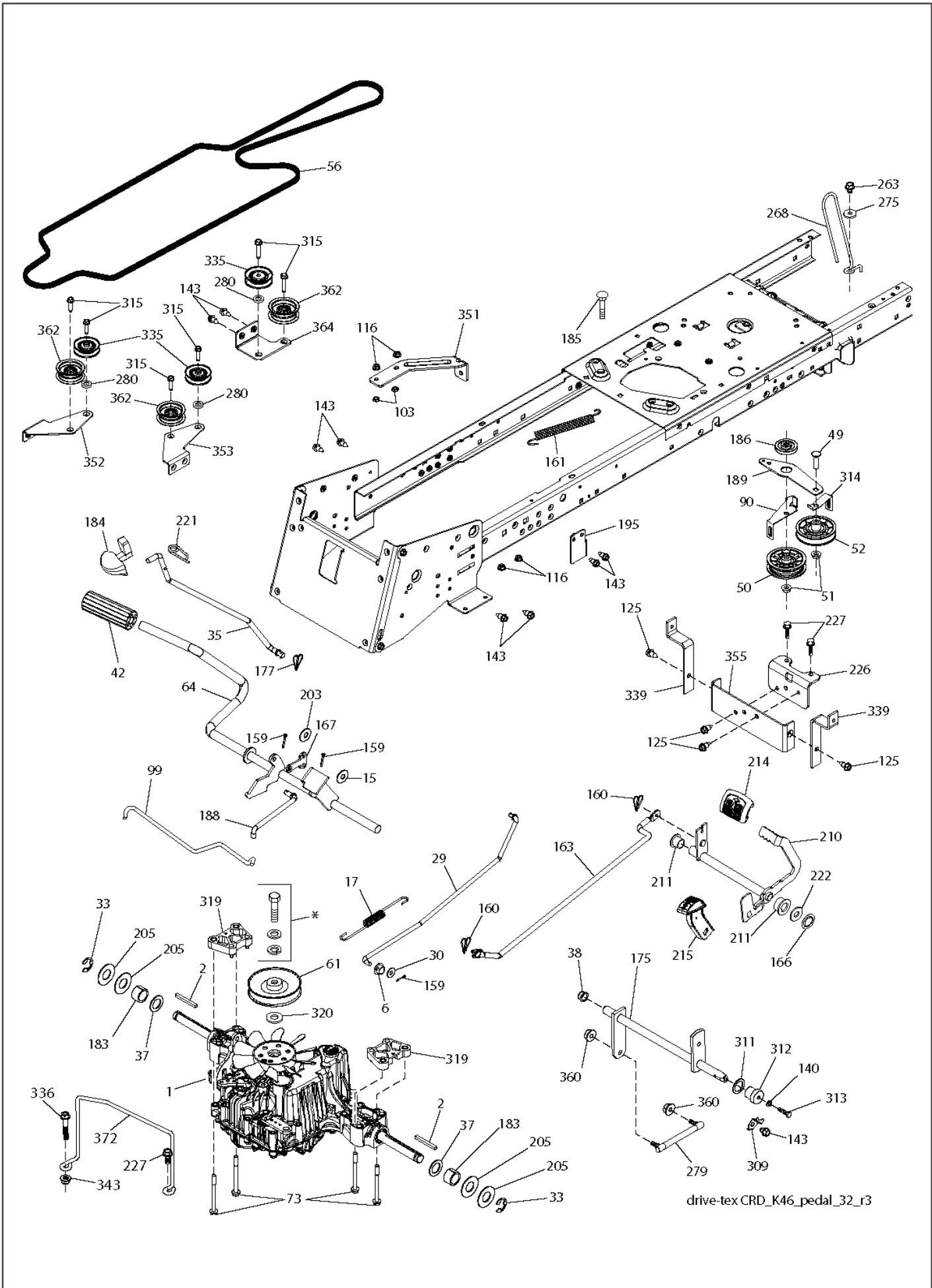
REF.	ART. NR	ARTIKELBESKRIVNING	ANMÄRKNING	KIT
3	581056301	LOGOTYP		1
5	532438964	PANEL	For 96051020000	1
5	585529805	PANEL	For 96051017900	1
5	585529806	PANEL	For 96051012402. 96051012403. 96051012404	1
14	532441267	HUV		1
15	532441428	LINS		1
18	532441368	GRILLE	For 96051012402. 96051012403. 96051012404	1
18	532439421	GRILLE	For 96051017900. 96051020000	1
25	532441427	LINS		1
34	593944402	PLATTA		1
36	817060512	SCREW		1
37	532441369	STÄNKSKÄRM		1
52	596040501	LOCK NUT		1
62	596728201	BULT		1
68	596030701	SCREW	For 96051017900. 96051020000	1
68	532171877	BULT	For 96051012402. 96051012403. 96051012404	1
118	596565301	BRICKA	For 96051017900. 96051020000	1
118	819131316	BRICKA	For 96051012402. 96051012403. 96051012404	1
119	596322601	MUTTER	For 96051017900. 96051020000	1
119	873680600	MUTTER	For 96051012402. 96051012403. 96051012404	1
130	596321701	SCREW		1
137	532407590	STÖTFÄNGARE		1
150	532406662	LUFTKANAL		1
151	532407807	FÄSTE		1
152	532199535	SKÄRM		1
159	817000612	SCREW	For 96051017900. 96051020000	1
159	872140614	BULT	For 96051012402. 96051012403. 96051012404	1
162	596134101	SCREW		1
175	532199472	PLATTA		1
176	532400776	SCREW		1
177	532195228	BUSHING		1
180	581187101	CHASSI		1
182	532407176	PANEL		1
183	595305701	SCREW		1
189	817000512	SCREW		1
191	532416501	INSATS		1
194	596135701	LOCK NUT	For 96051017900. 96051020000	1
194	873900500	MUTTER	For 96051012402. 96051012403. 96051012404	1
195	532439976	PLUGG	For 96051012402. 96051012403. 96051012404	1
199	532418739	PLATTA		1
202	532441342	KÅPA		1
203	532441343	KÅPA		1
204	532441375	KÅPA		1
205	532441344	TRIM		1
206	532441345	TRIM		1
213	596030501	SCREW		1
214	532199145	KLÄMMA		1
217	532409167	STÄNG		1
218	532196395	PLATTA		1
228	593824001	STUD		1
235	596564201	DISTANSBRICKA		1
236	873930500	MUTTER		1
238	532441374	SPARE PARTS		1
239	532404883	KLÄMMA		1
282	532414110	KLÄMMA		1
283	532440531	KONSOL		1
284	532440530	KONSOL		1
287	817600406	SCREW		1
297	532406665	INSATS		1

REF.	ART. NR	ARTIKELBESKRIVNING	ANMÄRKNING	KIT
303	587493101	SKÄRM	For 96051012402, 96051012403, 96051012404	1
303	589007602	SKYDD	For 96051017900, 96051020000	1
304	587493302	SKÄRM	For 96051012402, 96051012403	1
304	589412702	SKÄRM	For 96051012404, 96051017900, 96051020000	1
307	587494501	SKÄRM		1
308	532171877	BULT	For 96051012402, 96051012403, 96051012404	1
309	584441101	BACKPLATE	For 96051012402	1
309	501188301	BACKPLATE	For 96051012403, 96051012404, 96051017900, 96051020000	1
310	532445428	FÄSTE	For 96051017900	1
310	532446636	FÄSTE	For 96051012402, 96051012403, 96051012404	1
311	532445430	FÄSTE	For 96051017900	1
311	532446637	FÄSTE	For 96051012402, 96051012403, 96051012404, 96051020000	1
319	532174662	FÄSTE		1
334	532442537	FÄSTE		1
338	532436640	BULT	For 96051012402, 96051012403, 96051012404	1
338	594093901	BULT	For 96051017900, 96051020000	1
339	532436641	HÄVARM		1
340	532440931	LUCKA		1
341	582060801	SPÄRRHAKE		1
342	582826802	FÄSTE		1
343	532440749	KLÄMMA		1
375	586908201	STÖTFÅNGARE		1
376	589458701	MOUNT	For 96051012404, 96051017900, 96051020000	1
377	589455301	SCREW	For 96051012404, 96051017900, 96051020000	1

For 96051012400, 96051012401

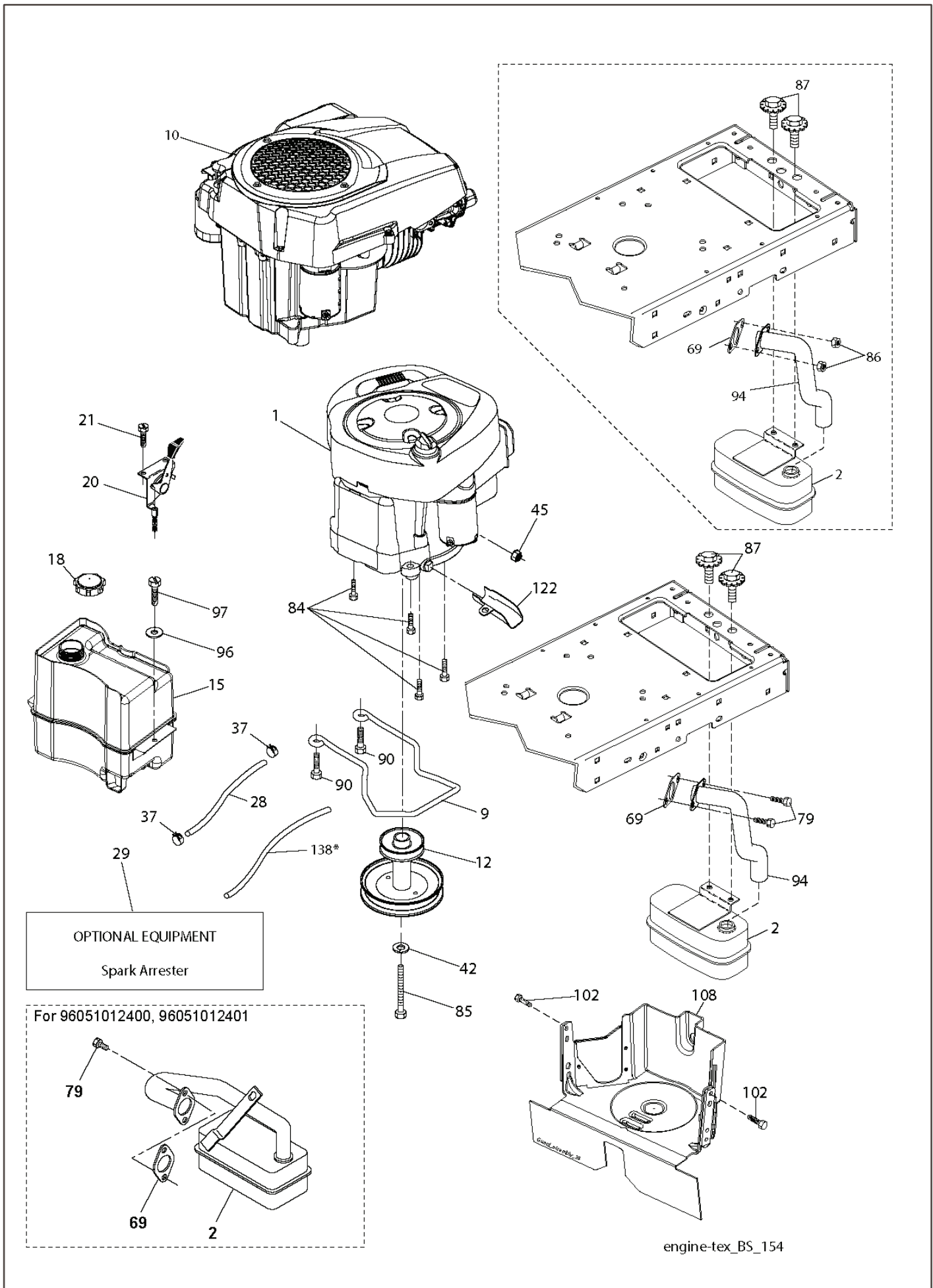


REF.	ART. NR	ARTIKELBESKRIVNING	ANMÄRKNING	KIT
3	581056301	LOGOTYP		1
5	585529806	PANEL		1
14	532441267	HUV		1
15	532441428	LINS		1
18	532441368	GRILLE		1
25	532441427	LINS		1
34	580910901	PLATTA		1
36	817060512	SCREW		1
37	532441369	STÄNKSKÄRM		1
52	873680500	MUTTER		1
62	872110608	BULT		1
68	817490508	SCREW		1
118	819131316	BRICKA		1
119	873680600	MUTTER		1
130	532416358	SCREW		1
137	532407590	STÖTFÅNGARE		1
150	532406662	LUFTKANAL		1
151	532407807	FÄSTE		1
152	532199535	SKÄRM		1
156	872140614	BULT		1
159	817000612	SCREW		1
162	532142432	SCREW		1
175	532199472	PLATTA		1
176	532400776	SCREW		1
177	532195228	BUSHING		1
179	532168937	BRICKA		1
180	532195438	CHASSI	For 96051012401	1
180	581187101	CHASSI	For 96051012400	1
182	532407176	PANEL		1
183	874520520	BULT		1
189	817000512	SCREW		1
191	532416501	INSATS		1
194	873900500	MUTTER		1
195	532439976	PLUGG		1
199	532418739	PLATTA		1
202	532441342	KÅPA		1
203	532441343	KÅPA		1
204	532441375	KÅPA		1
205	532441344	TRIM		1
206	532441345	TRIM		1
213	874760512	BULT		1
214	532199145	KLÄMMA		1
217	532409167	STÅNG		1
218	532196395	PLATTA		1
228	532195161	STUD		1
235	532406129	DISTANSBRICKA		1
236	873930500	MUTTER		1
238	532441374	SPARE PARTS		1
239	532404883	KLÄMMA		1
282	532414110	KLÄMMA		1
283	532440531	KONSOL		1
284	532440530	KONSOL		1
287	817600406	SCREW		1
297	532406665	INSATS		1
303	587493101	SKÄRM		1
304	587493301	SKÄRM		1
307	587494501	SKÄRM		1
308	532171877	BULT		1
309	584441101	BACKPLATE		1
310	532446636	FÄSTE		1
311	532446637	FÄSTE		1
319	532174662	FÄSTE		1
334	532442537	FÄSTE		1
338	532436640	BULT		1
339	532436641	HÄVARM		1
340	532440931	LUCKA		1
341	582060801	SPÄRRHAKE		1
342	532435938	STÖD		1
343	532440749	KLÄMMA		1
375	586908201	STÖTFÅNGARE		1

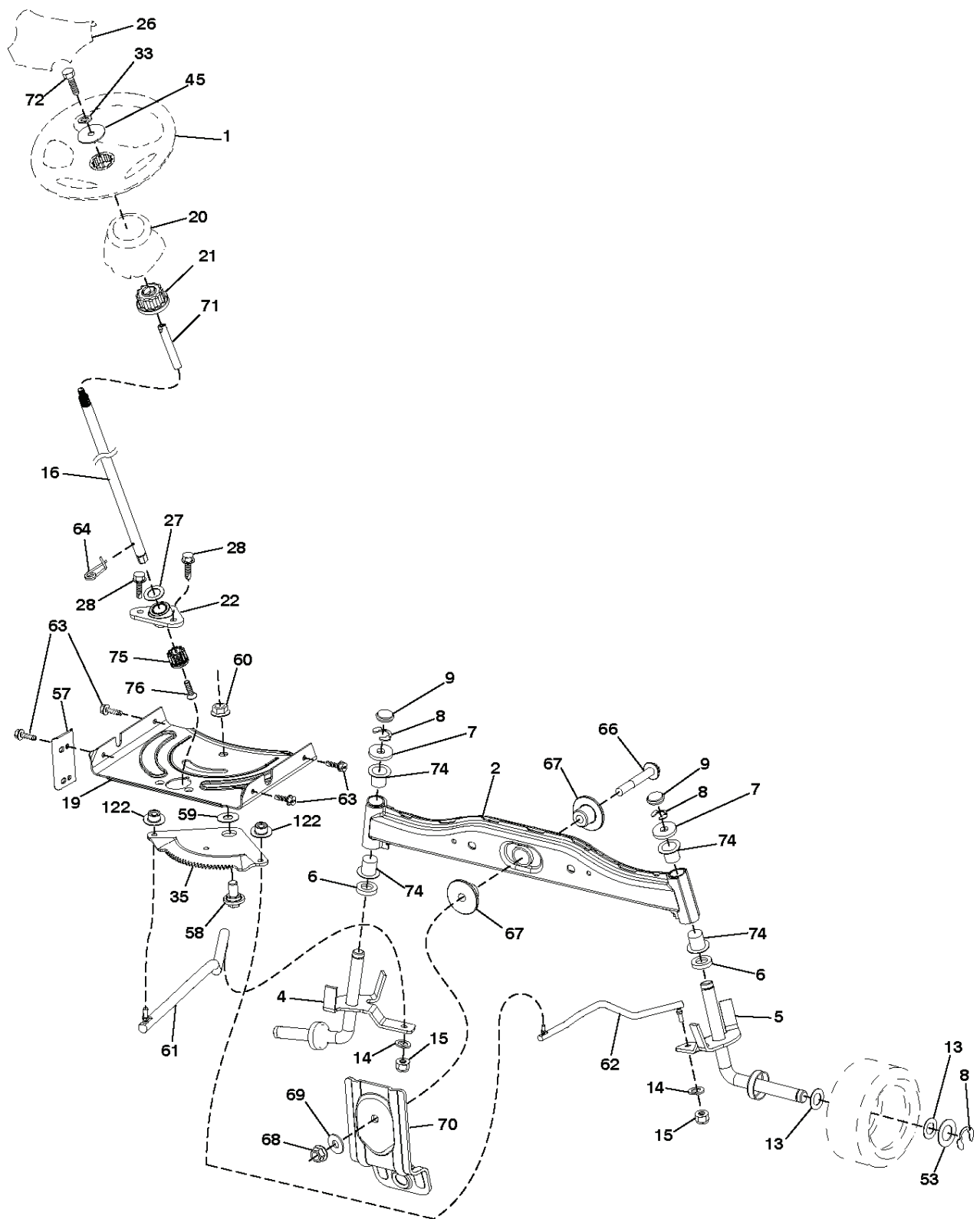


REF.	ART. NR	ARTIKELBESKRIVNING	ANMÄRKNING	KIT
1	900000002	DUMMY PART	Transaxle Tufftorq K46DF (532446488)	1
2	532123583	TANGENT		1
6	532124028	BUSHING		1
15	596565301	BRICKA		1
17	532436227	FJÄDER		1
29	532435881	STÅNG		1
30	596140201	BRICKA		1
33	812000001	FLÄNSRING		1
35	596874801	STÅNG		1
37	532188967	BRICKA		1
38	532169613	HYLSA		1
42	532008883	PEDALGUMMI		1
49	596136201	BULT		1
50	532194327	REMSKIVA		1
51	873900600	MUTTER		1
52	532194326	REMSKIVA		1
56	592855101	REM		1
61	532437788	REMSKIVA		1
64	532197865	AXEL		1
73	874490560	BULT		1
90	532443605	STYRNING		1
99	532443947	STÅNG		1
103	596436301	MUTTER		1
116	596135701	LOCK NUT		1
125	817000512	SCREW		1
140	596029801	BRICKA		1
143	596030701	SCREW		1
159	596029501	TAPP		1
160	900000002	DUMMY PART		0
160	596029401	HÅLLARE		1
161	532105709	FJÄDER		1
163	532436632	STÅNG		1
166	532429164	MUTTER		1
167	532405257	SPÄRRHAKE		1
175	532429359	AXEL		1
177	587225301	TAPP		1
183	532137057	DISTANSBRICKA		1
184	532411484	REGLAGE		1
185	872110622	BULT		1
186	532194321	DISTANSBRICKA		1
188	582217001	LÄNK		1
189	532433611	BELLCRANK		1
195	580456901	FÄSTE		1
203	596204101	BRICKA		1
205	532121748	BRICKA		1
210	532400980	PEDALARM		1
211	532120183	LAGER		1
214	532421263	DYNA		1
215	586606502	PEDALGUMMI		1
221	532403187	FJÄDER		1
222	879212010	BRICKA		1
226	532401564	FÄSTE		1
227	596135901	BULT		1
263	817000612	SCREW		1
268	596887801	MUFFLER GUARD		1
275	596135401	BRICKA		1
279	593898401	LÄNK		1
280	596039901	BRICKA		1
309	532165581	HÅLLARE		1
311	532169845	BRICKA		1
312	532165614	NAV		1
313	596040701	BULT		1
314	532444713	HÅLLARE		1
315	817580520	BULT		1
319	532436794	DISTANSBRICKA		1
320	532187690	BRICKA		1
335	532199534	REMSKIVA		1
336	587259602	BULT	For 96051020000	1
339	532436867	SPÄNNBAND		1
343	594944401	MUTTER	For 96051020000	1
351	532436998	FÄSTE		1
352	532435819	FÄSTE		1
353	532436577	FÄSTE		1
355	532435669	SPÄNNBAND		1
360	532444714	MUTTER		1
362	532436812	IDLER		1
364	532443032	FÄSTE		1

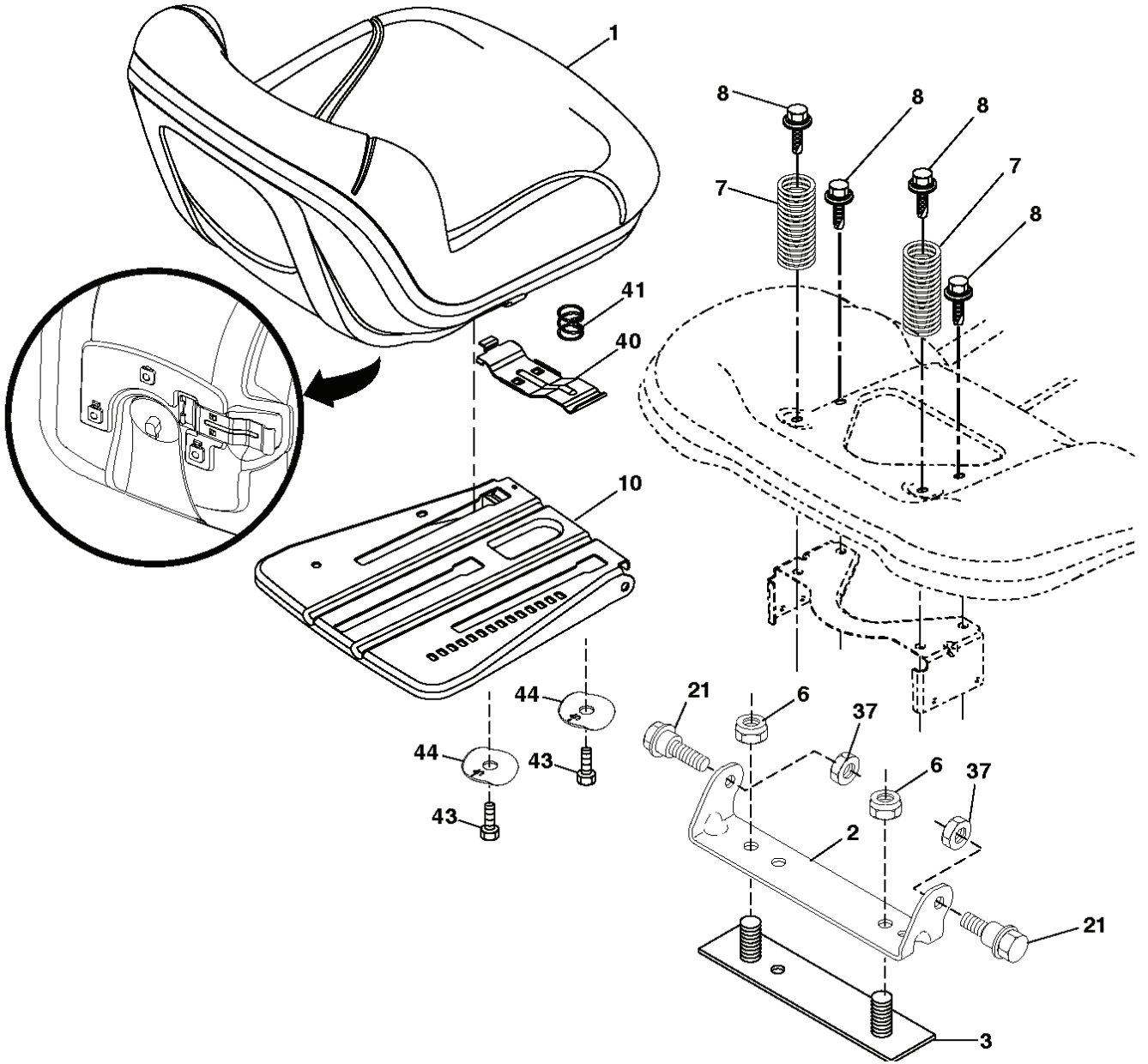
REF.	ART. NR	ARTIKELBESKRIVNING	ANMÄRKNING	KIT
372	582654901	STYRNING	For 96051020000	1



REF.	ART. NR	ARTIKELBESKRIVNING	ANMÄRKNING	KIT
1	900000002	DUMMY PART	For 96051017900, Engine Briggs Model No. 31R577-0027-B5 (597359601	1
1	598694001	MOTOR	96051020000	1
2	532137352	LJUDDÄMPARE	For 96051012400, 96051012401	1
2	532188655	LJUDDÄMPARE	For 96051012402, 96051012404, 96051017900	1
2	532446760	LJUDDÄMPARE	For 96051012403	1
2	590645301	LJUDDÄMPARE	For 96051020000	1
9	501832602	STYRNING		1
9	596501502	STYRNING	For 96051020000	1
10	598694001	MOTOR	For 96051020000, Husqvarna Model HV 452CC. Engine ipl available separately.	1
12	586478501	REMSKIVA		1
15	597952201	BRÄNSLETANK KPL	For 96051017900, EPA TANK	1
15	581289901	TANK	For 96051017900, NON-EPA TANK	1
18	532430220	FUEL CAP		1
20	532183897	REGLAGE	For 96051012400, 96051012401, 96051012402, 96051020000	1
20	587242601	SPJÄLL	For 96051012403, 96051012404, 96051017900	1
21	596321701	SCREW		1
28	532137040	SLANG		1
28	532401137	DURITE ESSENCE 20"	For 96051020000	1
29	532137180	GNISTFÅNGARE		1
37	532123487	SLANGKLÄMMA		1
42	596238901	BRICKA		1
45	593356401	MUTTER	For 96051020000	1
45	873510400	MUTTER	For all EXCEPT 96051017900, 96051020000	1
45	596133601	LOCK NUT	For 96051017900	1
69	532165291	PACKNING		1
69	590863501	PACKNING	For 96051020000	1
79	596134201	SCREW		1
84	817060620	SCREW		1
84	817120616	SCREW	For 96051020000	1
85	501606501	BULT		1
86	532184362	MUTTER	For 96051020000	1
87	532171877	BULT	For all EXCEPT 96051012400, 96051012401	1
90	817000616	SCREW		1
94	581880901	RÖR	For all EXCEPT 96051012400, 96051012401, 96051020000	1
94	590864701	RÖR	For 96051020000	1
96	596135301	BRICKA		1
97	817670412	SCREW		1
102	593337601	SCREW		1
108	587179510	KÅPA		1
122	532421922	EXTENSION PIPE		1
138	587044531	SLANG	For 96051017900, only equipped with the EPA tank	1

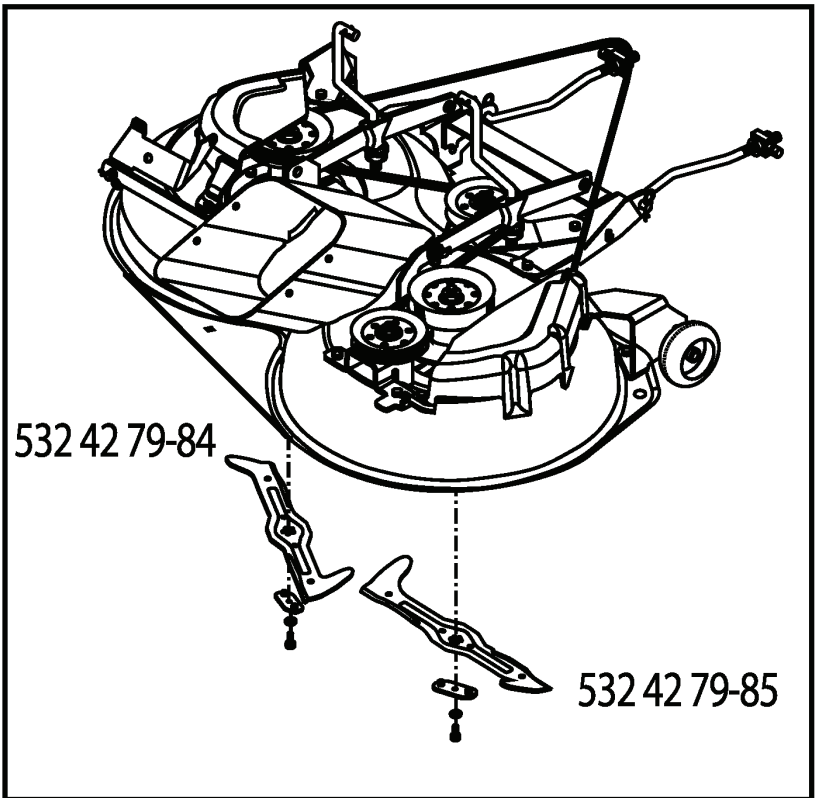
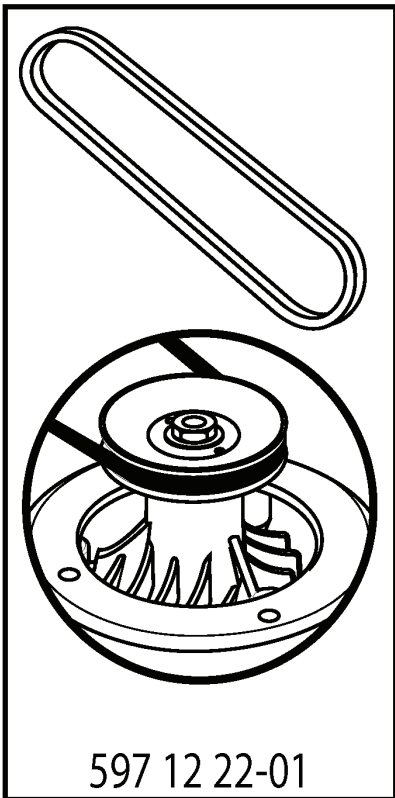
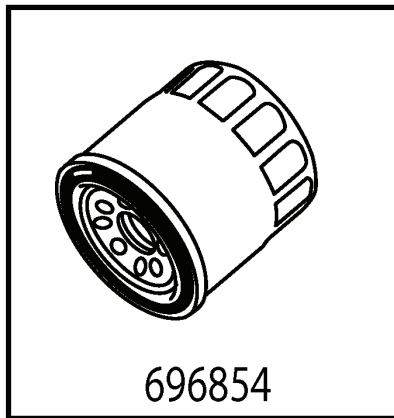
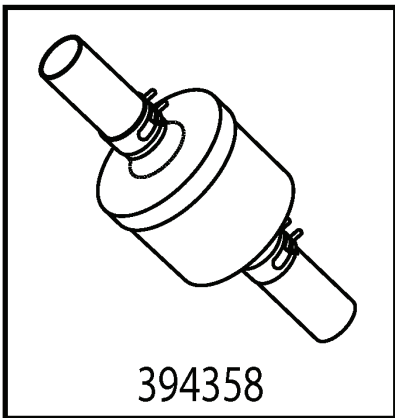
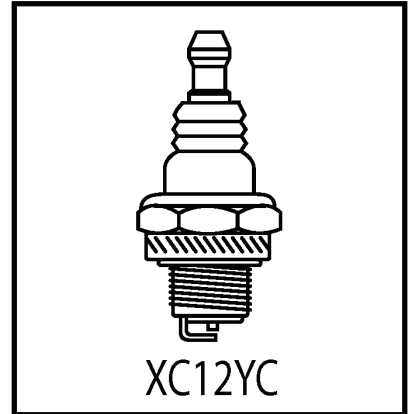
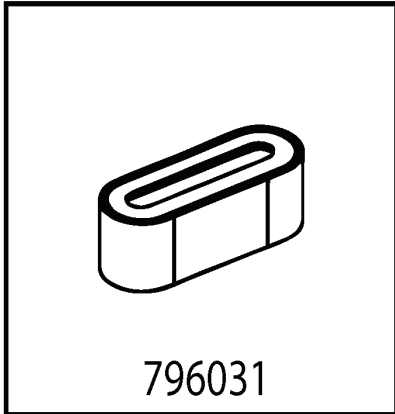


REF.	ART. NR	ARTIKELBESKRIVNING	ANMÄRKNING	KIT
1	532439997	RATT		1
1	597866101	SERVICE KIT	For 96051020000, includes steering cap	1
2	532418168	AXEL		1
4	532403087	SPINDEL		1
5	532403088	SPINDEL		1
6	532006266	BRICKA		1
7	532121748	BRICKA		1
8	812000029	FLÄNSRING		1
9	532121232	NAVKAPSEL		1
13	532121749	BRICKA		1
14	596238701	BRICKA		1
15	873540600	MUTTER		1
16	585869202	AXEL		1
19	532194729	PLATTA		1
20	532441425	KÅPA		1
21	532186737	ADAPTER		1
22	585029802	LAGER		1
26	532439743	NAVKAPSEL	For all except 96051020000	1
26	594949101	HATT	For 96051020000	1
27	596933401	BRICKA		1
28	817000612	SCREW		1
33	596238801	BRICKA		1
35	532194732	PLATTA		1
45	596040001	BRICKA		1
53	532188967	BRICKA		1
57	532407465	FÄSTE	For 96051012402	1
58	532194747	BULT		1
59	532194748	BRICKA		1
60	873971000	MUTTER		1
61	532194740	LÄNK	For all EXCEPT 96051017900, 96051020000	1
61	597047802	LINKAGE	For 96051017900, 96051020000	1
62	532194741	LÄNK	For all EXCEPT 96051017900, 96051020000	1
62	597047902	LINKAGE	For 96051017900, 96051020000	1
63	817000512	SCREW		1
64	532199849	FJÄDERFÄSTE		1
65	501762001	SERVICE KIT	For 96051012403, 96051012404	1
66	871020748	BULT		1
67	532194737	BUSHING		1
68	873900700	MUTTER		1
69	532199162	BRICKA		1
70	585338801	FÄSTE		1
71	532190752	AXEL		1
72	596039701	BULT		1
74	532003366	LAGER		1
75	580683701	DREV		1
76	580683601	SCREW		1
122	532444962	HATT		1



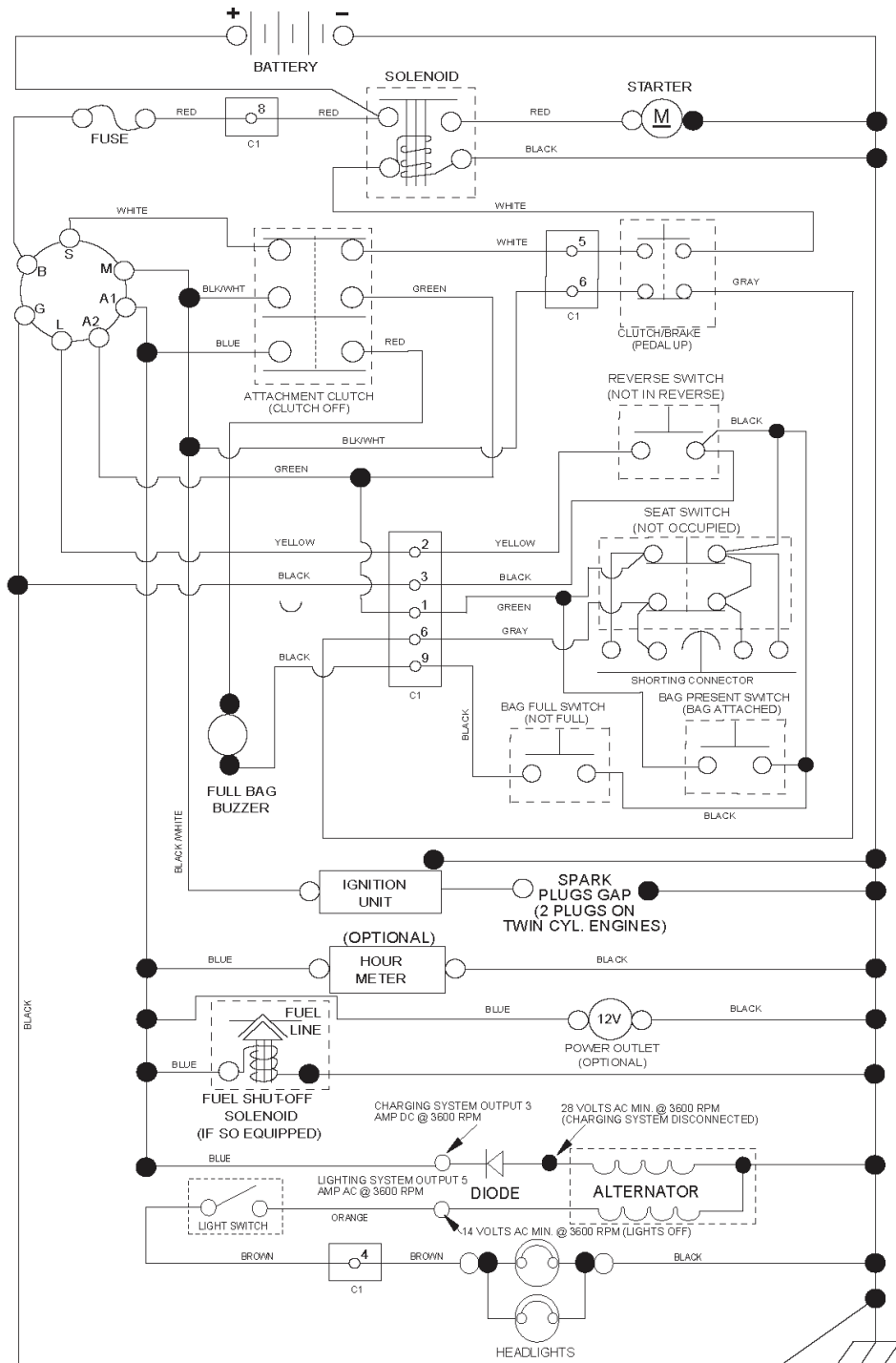
REF.	ART. NR	ARTIKELBESKRIVNING	ANMÄRKNING	KIT
1	532439819	SÄTE	For 96051017900, 96051020000	1
1	532439709	SÄTE	For all EXCEPT 96051017900, 96051020000	1
2	532180166	FÄSTE		1
3	532140675	SPÄNNBAND		1
6	873800600	MUTTER		1
7	532124181	FJÄDER	For all EXCEPT 96051012404, 96051017900, 96051020000	1
7	589483501	FJÄDER	For 96051012404, 96051017900, 96051020000	1
8	532171877	BULT		1
10	596657402	PLATTA		1
21	587907801	BULT		1
37	596040501	LOCK NUT	For all EXCEPT 96051017900, 96051020000	1
37	596583702	MUTTER	For 96051017900, 96051020000	1
40	595088102	HANDTAG		1
41	532198200	FJÄDER		1
43	874760612	BULT		1
44	583789501	BRICKA	For all EXCEPT 96051012404, 96051017900, 96051020000	1
44	501051801	BRICKA		1

For 96051017900

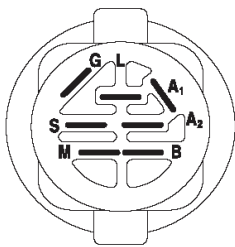


596555001

REF.	ART. NR	ARTIKELBESKRIVNING	ANMÄRKNING	KIT
2	531029975	TÄNDSTIFT		1
3	582285050	LUFTFILTER		1
4	582288363	BRÄNSLEFILTER		1
5	532441836	KILREM		1
6	585730401	OIL FILTER		1
7	532427984	RIDE ON BLADE		1
8	532427985	KNIV		1
9	597122201	REM		1

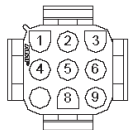


NOTE
 YOUR TRACTOR IS EQUIPPED WITH A SPECIAL ALTERNATOR SYSTEM. THE LIGHTS ARE NOT CONNECTED TO THE BATTERY, BUT HAVE THEIR OWN ELECTRICAL SOURCE. BECAUSE OF THIS, THE BRIGHTNESS OF THE LIGHTS WILL CHANGE WITH ENGINE SPEED. AT IDLE THE LIGHTS WILL DIM. AS THE ENGINE SPEED IS INCREASED, THE LIGHTS WILL BECOME THEIR BRIGHTEST.

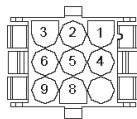


IGNITION SWITCH

POSITION	CIRCUIT	"MAKE"
OFF	M+G+A1	
RUN/OVERRIDE	B+A1	
RUN	B+A1	L+A2
START	B + S + A1	



CHASSIS HARNESS CONNECTOR (C1) (MATING SIDE)



DASH HARNESS CONNECTOR (C1) (MATING SIDE)

WIRING INSULATED CLIPS NOTE: IF WIRING INSULATED CLIPS WERE REMOVED FOR SERVICING OF UNIT, THEY SHOULD BE RE-INSTALLED TO PROPERLY SECURE YOUR WIRING.

● NON-REMOVABLE CONNECTIONS

○ REMOVABLE CONNECTIONS

